

**TEAC**

# AI-3000

## INTEGRATED AMPLIFIER

**OWNERS MANUAL**

**MODE D'EMPLOI**

**MANUAL DEL USUARIO**

**BEDIENUNGSANLEITUNG**

**MANUALE DI ISTRUZIONI**

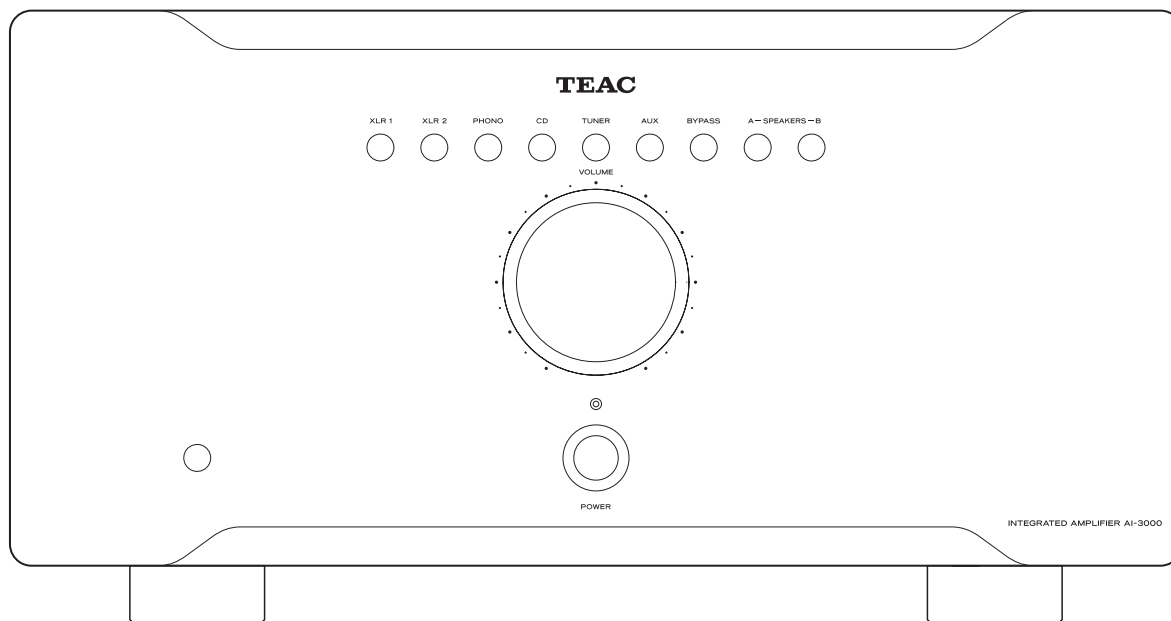
ENGLISH

FRANÇAIS

ESPAÑOL

DEUTSCH

ITALIANO





**CAUTION**  
RISK OF ELECTRIC SHOCK  
DO NOT OPEN



CAUTION: TO REDUCE THE RISK OF ELECTRIC SHOCK, DO NOT REMOVE COVER (OR BACK). NO USER-SERVICEABLE PARTS INSIDE. REFER SERVICING TO QUALIFIED SERVICE PERSONNEL.




The lightning flash with arrowhead symbol, within an equilateral triangle, is intended to alert the user to the presence of uninsulated "dangerous voltage" within the product's enclosure that may be of sufficient magnitude to constitute a risk of electric shock to persons.



The exclamation point within an equilateral triangle is intended to alert the user to the presence of important operating and maintenance (servicing) instructions in the literature accompanying the appliance.

## IMPORTANT SAFETY INSTRUCTIONS

- 1) Read these instructions.
- 2) Keep these instructions.
- 3) Heed all warnings.
- 4) Follow all instructions.
- 5) Do not use this apparatus near water.
- 6) Clean only with dry cloth.
- 7) Do not block any ventilation openings. Install in accordance with the manufacturer's instructions.
- 8) Do not install near any heat sources such as radiators, heat registers, stoves, or other apparatus (including amplifiers) that produce heat.
- 9) Do not defeat the safety purpose of the polarized or grounding-type plug. A polarized plug has two blades with one wider than the other. A grounding type plug has two blades and a third grounding prong. The wide blade or the third prong are provided for your safety. If the provided plug does not fit into your outlet, consult an electrician for replacement of the obsolete outlet.
- 10) Protect the power cord from being walked on or pinched particularly at plugs, convenience receptacles, and the point where they exit from the apparatus.
- 11) Only use attachments/accessories specified by the manufacturer.
- 12) Use only with the cart, stand, tripod, bracket, or table specified by the manufacturer, or sold with the apparatus. When a cart is used, use caution when moving the cart/apparatus combination to avoid injury from tip-over. 
- 13) Unplug this apparatus during lightning storms or when unused for long periods of time.
- 14) Refer all servicing to qualified service personnel. Servicing is required when the apparatus has been damaged in any way, such as power-supply cord or plug is damaged, liquid has been spilled or objects have fallen into the apparatus, the apparatus has been exposed to rain or moisture, does not operate normally, or has been dropped.

- Do not expose this apparatus to drips or splashes.
- Do not place any objects filled with liquids, such as vases, on the apparatus.
- Do not install this apparatus in a confined space such as a book case or similar unit.
- The apparatus draws nominal non-operating power from the AC outlet with its POWER or STANDBY/ON switch not in the ON position.
- The apparatus should be located close enough to the AC outlet so that you can easily reach the power cord plug at any time.
- The mains plug is used as the disconnect device, the disconnect device shall remain readily operable.
- Products with Class I construction are equipped with a power supply cord that has a grounding plug. The cord of such a product must be plugged into an AC outlet that has a protective grounding connection.
- If the product uses batteries (including a battery pack or installed batteries), they should not be exposed to sunshine, fire or excessive heat.
- CAUTION for products that use replaceable lithium batteries: there is danger of explosion if a battery is replaced with an incorrect type of battery. Replace only with the same or equivalent type.
- Caution should be taken when using earphones or headphones with the product because excessive sound pressure (volume) from earphones or headphones can cause hearing loss.

WARNING: TO PREVENT FIRE OR SHOCK HAZARD, DO NOT EXPOSE THIS APPLIANCE TO RAIN OR MOISTURE.

### CAUTION

- DO NOT REMOVE THE EXTERNAL CASES OR CABINETS TO EXPOSE THE ELECTRONICS. NO USER SERVICEABLE PARTS ARE INSIDE.
- IF YOU ARE EXPERIENCING PROBLEMS WITH THIS PRODUCT, CONTACT TEAC FOR A SERVICE REFERRAL. DO NOT USE THE PRODUCT UNTIL IT HAS BEEN REPAIRED.
- USE OF CONTROLS OR ADJUSTMENTS OR PERFORMANCE OF PROCEDURES OTHER THAN THOSE SPECIFIED HEREIN MAY RESULT IN HAZARDOUS RADIATION EXPOSURE.

### For U.S.A.

This equipment has been tested and found to comply with the limits for a Class B digital device, pursuant to Part 15 of the FCC Rules. These limits are designed to provide reasonable protection against harmful interference in a residential installation. This equipment generates, uses, and can radiate radio frequency energy and, if not installed and used in accordance with the instructions, may cause harmful interference to radio communications. However, there is no guarantee that interference will not occur in a particular installation. If this equipment does cause harmful interference to radio or television reception, which can be determined by turning the equipment off and on, the user is encouraged to try to correct the interference by one or more of the following measures:

- Reorient or relocate the equipment and/or the receiving antenna.
- Increase the separation between the equipment and receiver.
- Connect the equipment into an outlet on a circuit different from that to which the receiver is connected.
- Consult the dealer or an experienced radio/TV technician for help.

### CAUTION

Changes or modifications to this equipment not expressly approved by TEAC CORPORATION for compliance will void the user's warranty.


### For Canada

Industry Canada's Compliance Statement:


This Class B digital apparatus complies with Canadian ICES-003.  
Cet appareil numérique de la classe B est conforme à la norme NMB-003 du Canada.

### For European customers

#### Disposal of electrical and electronic equipment

- (a) All electrical and electronic equipment should be disposed of separately from the municipal waste stream via collection facilities designated by the government or local authorities.
- (b) By disposing of electrical and electronic equipment correctly, you will help save valuable resources and prevent any potential negative effects on human health and the environment.
- (c) Improper disposal of waste electrical and electronic equipment can have serious effects on the environment and human health because of the presence of hazardous substances in the equipment.
- (d) The Waste Electrical and Electronic Equipment (WEEE) symbol, which shows a wheeled bin that has been crossed out, indicates that electrical and electronic equipment must be collected and disposed of separately from household waste. 
- (e) Return and collection systems are available to end users. For more detailed information about the disposal of old electrical and electronic equipment, please contact your city office, waste disposal service or the shop where you purchased the equipment.

#### Disposal of batteries and/or accumulators

- (a) Waste batteries and/or accumulators should be disposed of separately from the municipal waste stream via collection facilities designated by the government or local authorities.
- (b) By disposing of waste batteries and/or accumulators correctly, you will help save valuable resources and prevent any potential negative effects on human health and the environment.
- (c) Improper disposal of waste batteries and/or accumulators can have serious effects on the environment and human health because of the presence of hazardous substances in them.
- (d) The WEEE symbol, which shows a wheeled bin that has been crossed out, indicates that batteries and/or accumulators must be collected and disposed of separately from household waste.   
**Pb, Hg, Cd**  
If a battery or accumulator contains more than the specified values of lead (Pb), mercury (Hg), and/or cadmium (Cd) as defined in the Battery Directive (2006/66/EC), then the chemical symbols for those elements will be indicated beneath the WEEE symbol.
- (e) Return and collection systems are available to end users. For more detailed information about the disposal of waste batteries and/or accumulators, please contact your city office, waste disposal service or the shop where you purchased them.

**Thank you for choosing TEAC. Read this manual carefully to get the best performance from this unit.**

Before Using the Unit.....	5
Identifying the Parts.....	6
Basic Operation.....	10
Troubleshooting.....	11
Specifications.....	11

## Read before operation

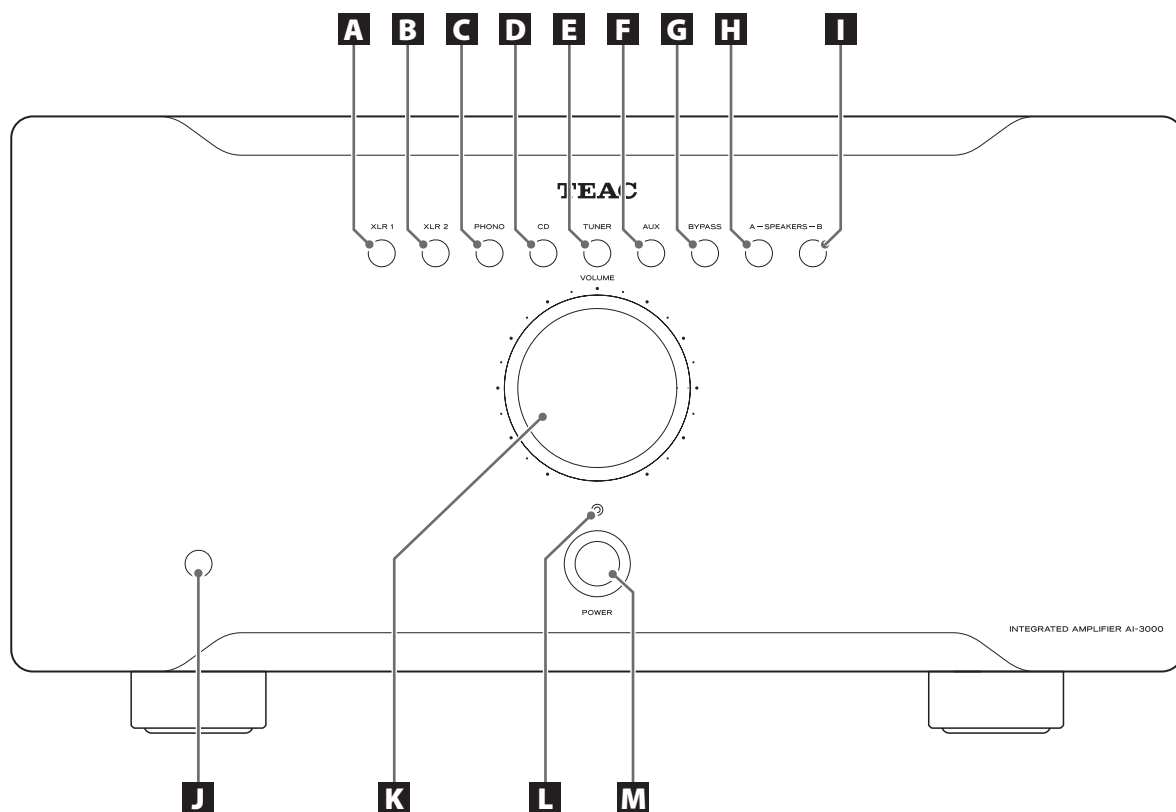
- Be careful to avoid injury when moving the unit, due to its weight. Get someone to help you if necessary.
- To protect easily scratched furniture, you may apply the felt pads supplied with the unit to the feet.
- As the unit may become warm during operation, always leave sufficient space around the unit for ventilation. The ventilation holes should not be covered. Make sure there is at least 20 cm (8") of space above and at least 5 cm (2") of space on each side of the unit. Do NOT place anything on top of the unit.
- The voltage supplied to the unit should match the voltage that is printed on the rear panel. If you are in any doubt regarding this matter, consult an electrician.
- Choose the installation location of your unit carefully. Avoid placing it in direct sunlight or close to a source of heat. Also avoid locations subject to vibrations and excessive dust, heat, cold or moisture.
- Do not place the unit on an amplifier or any other device that generates heat.
- Do not open the cabinet as this might result in damage to the circuitry or electrical shock. If a foreign object should get into the unit, contact your dealer or service company.
- When removing the power plug from the wall outlet, always pull directly on the plug, never yank the cord.
- Do not attempt to clean the unit with chemical solvents as this might damage the finish. Use a clean, dry cloth.
- Keep this manual in a safe place for future reference.
- When the unit is turned on, if a TV is turned on nearby lines might appear on the TV screen depending on the frequency of the TV broadcast. This is not a malfunction of the unit or the TV. If you see such lines, move the unit and the TV further apart.

## Maintenance

If the surface of the unit gets dirty, wipe with a soft cloth or use diluted neutral cleaning liquid. Be sure to remove any fluid completely. Do not use thinner or alcohol as they may damage the surface of the unit.

# Identifying the Parts (1)

## Front panel



**A** XLR1 signal selector

**B** XLR2 signal selector

**C** PHONO signal selector

**D** CD signal selector

**E** TUNER signal selector

**F** AUX signal selector

**G** BYPASS signal selector

**H** A/B SPEAKER selector (group A)

**I** A/B SPEAKER indicator (group B)

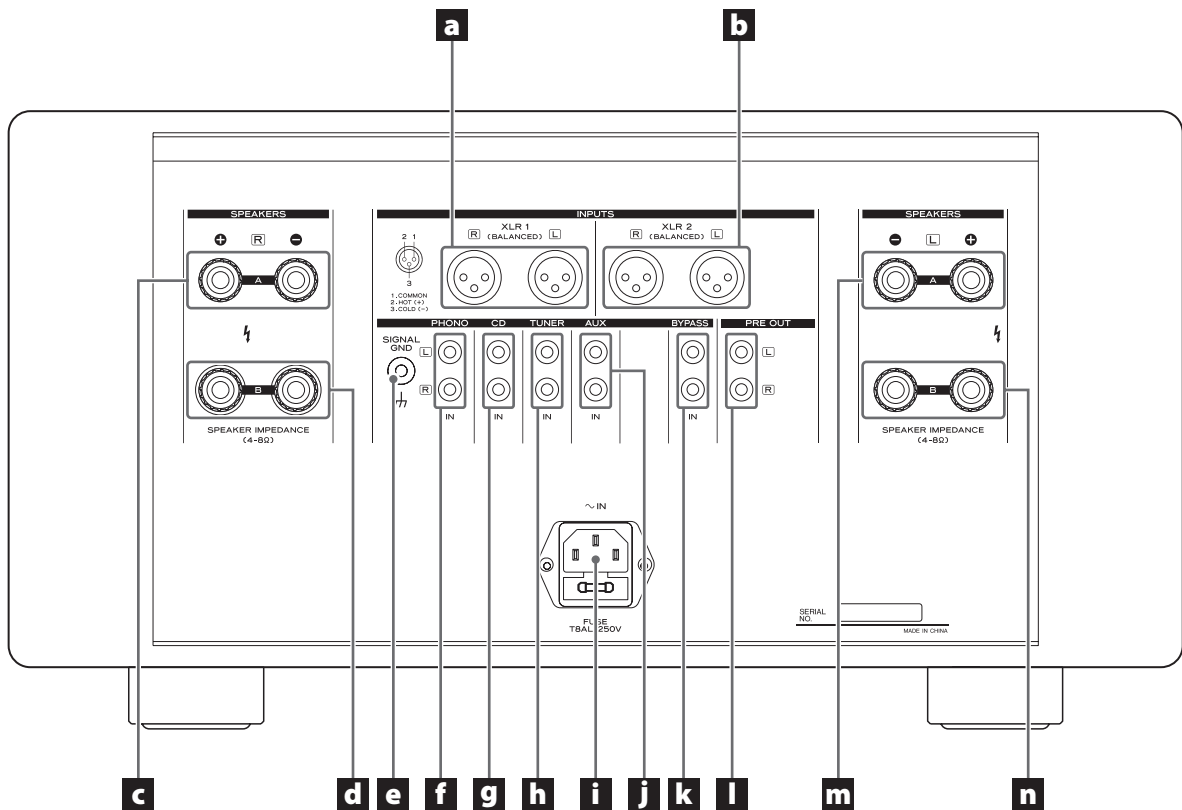
**J** Remote control receiver

**K** VOLUME knob

**L** POWER indicator

**M** POWER button

## Rear panel



**a** XLR1 signal input terminal

**b** XLR2 signal input terminal

**c** Right channel speaker output terminals (group A)

**d** Right channel speaker output terminals (group B)

**e** Grounding terminal

**f** PHONO signal input terminal

**g** CD signal input terminals

**h** TUNER signal input terminals

**i** AC power inlet (with fuse)

**j** AUX signal input terminals

**k** BYPASS input terminals

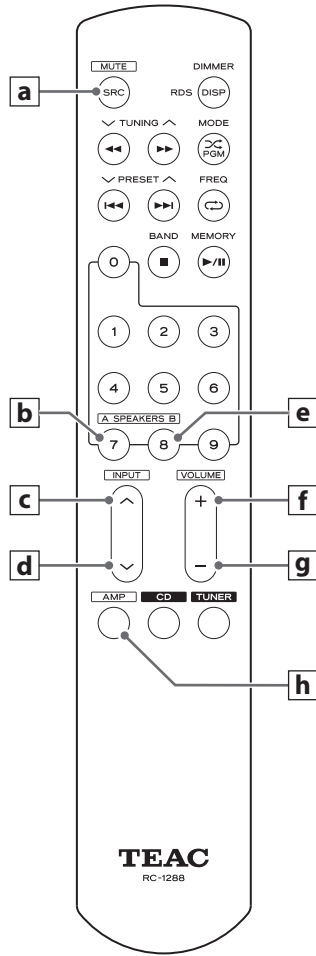
**l** PRE OUT output terminals

**m** Left channel speaker output terminals (group A)

**n** Left channel speaker output terminals (group B)

# Identifying the Parts (2)

## Remote control



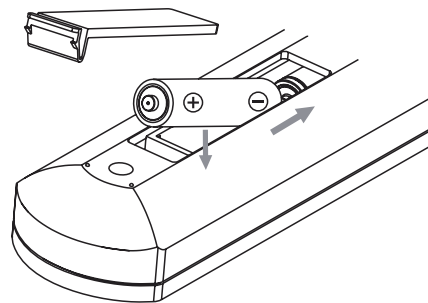
- a** MUTE
- b** SPEAKER selector (group A)
- c** INPUT ^ (Next input selector)
- d** INPUT v (Previous input selector)
- e** SPEAKER selector (group B)
- f** VOLUME +
- g** VOLUME -
- h** AMP



## Note before using the remote control

- Press the AMP button to switch to the AMP mode before operating the unit by using the remote control.
- The effective range of the remote control is no greater than 10m and an angle no greater than 30 degrees.
- Buttons that are not listed or mentioned in the remote control diagram are not used for this unit. It is normal that there will be no response when you press them.

## Battery installation



**1** Open the cover of the remote control unit.

**2** Insert two AAA batteries. Make sure that the batteries are inserted with their positive  $\oplus$  and negative  $\ominus$  poles positioned correctly.

**3** Close the cover.

---

## Power ON / OFF

Connect the power cord and signal cable of the unit. Then, press the POWER button on the front panel to turn the unit on [⏻]. The power indicator on the front panel is on and the unit is in normal operating mode now.

To turn the unit off, press the POWER button on the front panel. The button is set to the off position [⏻], and the power indicator and eventually the unit are off. Disconnect the AC power cord from the main outlet when the appliance is not used for a long period of time.

---

## Input switching

To switch to the input port you want to use, press the corresponding signal selector button on the front panel or the INPUT ^ or v button on the remote control. The corresponding input status indicator will light accordingly.

---

## Volume adjustment

You can adjust the volume setting by using the VOLUME knob on the front panel of the unit.

To increase the volume, turn the knob clockwise. To reduce the volume, turn the knob counterclockwise.

You can also use the VOLUME + or – button on the remote control to adjust the volume.

Using the VOLUME knob or VOLUME + and – buttons, set the volume to the minimum before turning on the unit each time and then gradually increase the volume level to prevent damage to your loudspeakers.

---

## Output protection

When the output of the power amplifier is overloaded, the relay of the protection circuit of the power amplifier will be disconnected at once. All indicators on the panel will be on at the same time and the volume will be turned down automatically. At this time, turn off the unit's power and eliminate any overload cause. In about 5 minutes, turn on the unit again to check for normal operation.

---

## A/B SPEAKER selection

Press the [A SPEAKER B] button on the front panel or remote control, then choose A or B selector output. If A and B indicators on the panel both on which means A and B speakers both have output. If A or B indicator on the panel is on, the other speaker is OFF.

---

## Mute

Press the MUTE button on the remote control to mute the sound output from the connected loudspeaker systems.

In mute mode, press the MUTE button on the remote control again to return to normal playback mode.

## Troubleshooting

If you experience any problems with the unit, please take a moment to look through this chart before asking for repairs. If you still have a problem, contact your dealer or TEAC customer service/technical support (stated on the back cover).

### No power

- ➔ Check the connection to the AC outlet. Check and make sure the AC source is not a switched outlet and that, if it is, the switch is turned on. Make sure there is power to the AC outlet by plugging another item such as a lamp or fan into the outlet.

### Remote control doesn't work.

- ➔ Press the POWER switch of the main unit to turn it on.
- ➔ If the batteries are dead, change the batteries.
- ➔ Within the specified range of 10m, point the remote control directly at the unit's front panel.
- ➔ Clear any obstacle between the remote control unit and the main unit.

### No sound

- ➔ Check the connection to the amplifier.
- ➔ Check the operation of the amplifier.
- ➔ Muting is activated. Press the MUTE button. Select the correct source.
- ➔ Output protection has been activated. Turn off the unit, check for possible causes (e.g. short-circuited speaker cables, connected speakers with wrong impedance) and solve the problem. Wait 5 minutes before turning on the power again.

## Specifications

### Amplifier Section

Power output.....	200 W + 200 W (8 Ω) 300 W + 300 W (4 Ω)
Frequency response.....	10 Hz - 30 KHz (-0.5 dB)
Signal noise ratio.....	102 dB (A-weighted)
Total harmonic distortion.....	0.01 % or less
Input sensitivity.....	280 mV/47 KΩ

### General

Power Requirements.....	AC 230 V 50 Hz
Power Consumption (nominal).....	570 W
Dimensions (W x H x D).....	435 x 230 x 520 mm
Weight.....	31.3 kg
Operating temperature.....	+5°C - +35°C
Operating humidity.....	5 % - 85 % (no condensation)
Storage temperature.....	-10°C - +55°C

### Accessories

Power cord x 1
Remote control x 1
AAA battery x 2
Warranty card x 1
Owner's manual x 1

- Design and specifications are subject to change without notice.
- Weight and dimensions are approximate.
- Illustrations may differ slightly from production models.


- N'exposez pas cet appareil aux gouttes ni aux éclaboussures.
- Ne placez pas d'objet rempli de liquide sur l'appareil, comme par exemple un vase.
- N'installez pas cet appareil dans un espace confiné comme une bibliothèque ou un meuble similaire.
- L'appareil tire un courant nominal de veille de la prise secteur quand son interrupteur POWER ou STANDBY/ON n'est pas en position ON.
- L'appareil doit être placé suffisamment près de la prise de courant pour que vous puissiez à tout moment atteindre facilement la fiche du cordon d'alimentation
- La fiche secteur est utilisée comme dispositif de déconnexion et doit donc toujours rester disponible.
- Les produits de Classe I sont équipés d'un cordon d'alimentation ayant une fiche de terre. Le cordon de ces produits doit être branché dans une prise de terre.
- Si le produit utilise des batteries (y compris un pack d'accus ou des piles), elles ne doivent pas être exposées au soleil, au feu ou à une chaleur excessive.
- **PRÉCAUTION** pour les produits utilisant des batteries au lithium remplaçables : il existe un danger d'explosion en cas de remplacement par un type de batterie incorrect. Remplacez-les par des modèles identiques ou équivalents.
- Des précautions doivent être prises pour l'emploi d'écouteurs ou d'un casque avec le produit car une pression acoustique (volume) excessive dans les écouteurs ou dans le casque peut provoquer une perte d'audition.

## Pour les consommateurs européens

### Mise au rebut des équipements électriques et électroniques

- Tout équipement électrique et électronique doit être traité séparément de la collecte municipale d'ordures ménagères dans des points de collecte désignés par le gouvernement ou les autorités locales.
- En vous débarrassant correctement des équipements électriques et électroniques, vous contribuerez à la sauvegarde de précieuses ressources et à la prévention de potentiels effets négatifs sur la santé humaine et l'environnement.
- Le traitement incorrect des déchets d'équipements électriques et électroniques peut avoir des effets graves sur l'environnement et la santé humaine en raison de la présence de substances dangereuses dans les équipements.
- Le symbole de déchets d'équipements électriques et électroniques (DEEE), qui représente une poubelle à roulettes barrée d'une croix, indique que les équipements électriques et électroniques doivent être collectés et traités séparément des déchets ménagers. 
- Des systèmes de retour et de collecte sont disponibles pour l'utilisateur final. Pour des informations plus détaillées sur la mise au rebut des vieux équipements électriques et électroniques, veuillez contacter votre mairie, le service d'ordures ménagères ou le magasin dans lequel vous avez acquis l'équipement.

### Mise au rebut des batteries et/ou accumulateurs

- Les batteries et/ou accumulateurs hors d'usage doivent être traités séparément de la collecte municipale d'ordures ménagères dans des points de collecte désignés par le gouvernement ou les autorités locales.
- En vous débarrassant correctement des batteries et/ou accumulateurs hors d'usage, vous contribuerez à la sauvegarde de précieuses ressources et à la prévention de potentiels effets négatifs sur la santé humaine et l'environnement.
- Le traitement incorrect des batteries et/ou accumulateurs hors d'usage peut avoir des effets graves sur l'environnement et la santé humaine car ils contiennent des substances dangereuses.
- Le symbole de déchets d'équipements électriques et électroniques (DEEE), qui représente une poubelle à roulettes barrée d'une croix, indique que les batteries et/ou accumulateurs doivent être collectés et traités séparément **Pb, Hg, Cd** des déchets ménagers.   
Si une batterie ou un accumulateur contient plus que les valeurs spécifiées de plomb (Pb), mercure (Hg) et/ou cadmium (Cd) telles que définies dans la directive sur les batteries (2006/66/EC), alors les symboles chimiques de ces éléments seront indiqués sous le symbole DEEE.
- Des systèmes de retour et de collecte sont disponibles pour l'utilisateur final. Pour des informations plus détaillées sur la mise au rebut des batteries et/ou accumulateurs, veuillez contacter votre mairie, le service d'ordures ménagères ou le magasin dans lequel vous les avez achetés.

**Nous vous remercions d'avoir choisi TEAC. Lisez ce mode d'emploi avec attention pour tirer les meilleures performances de cette unité.**

Avant d'utiliser l'unité.....	13
Identification des parties.....	14
Fonctionnement de base.....	18
Guide de dépannage.....	19
Caractéristiques techniques.....	19

### À lire avant utilisation.

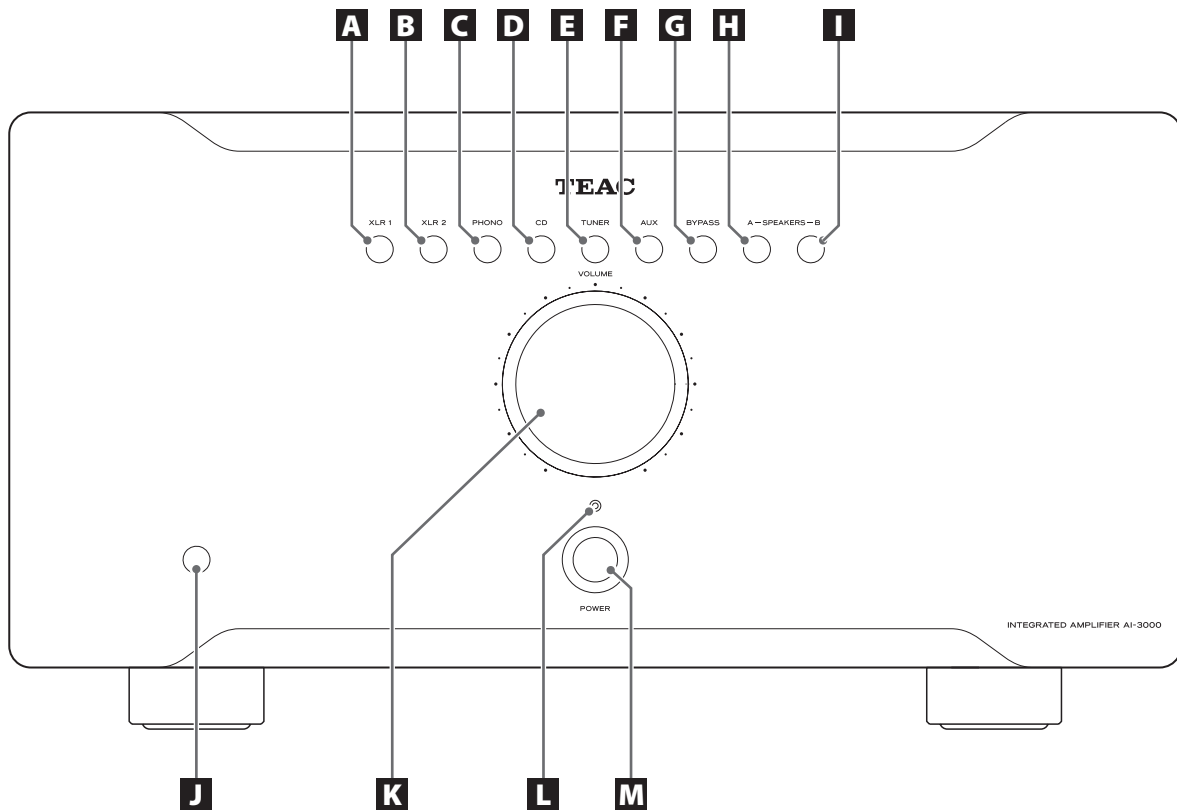
- En raison du poids de l'unité, prenez garde à ne pas vous blesser quand vous la déplacez. Faites vous aider si nécessaire.
- Pour protéger les meubles susceptibles d'être rayés, vous pouvez mettre sur les pieds les patins en feutre livrés avec l'unité.
- Il est possible que l'unité chauffe durant l'utilisation, laissez donc toujours un espace suffisant autour d'elle pour la ventilation. Les ouvertures de ventilation ne doivent pas être couvertes. Veillez à ce qu'il y ait un espace d'au moins 20 cm au dessus de l'unité et d'au moins 5 cm de chaque côté. Ne placez RIEN sur l'unité.
- La tension d'alimentation de l'unité doit correspondre à la tension imprimée sur la face arrière. Si vous avez des doutes à ce sujet, consultez un électricien.
- Choisissez soigneusement l'emplacement de votre unité. Évitez de l'exposer directement aux rayons solaires ou à une source de chaleur. Évitez aussi les endroits sujets aux vibrations, à une poussière excessive, à la chaleur, au froid et à l'humidité.
- Ne placez pas l'unité sur un amplificateur ou tout autre appareil générant de la chaleur.
- N'ouvrez pas le boîtier car cela peut endommager le circuit ou causer un choc électrique. Si un objet étranger pénètre dans l'unité, consultez votre revendeur ou le service après-vente.
- Quand vous débranchez le cordon d'alimentation de la prise secteur, tirez toujours la prise, jamais le cordon.
- N'essayez pas de nettoyer l'unité avec des dissolvants chimiques, cela peut endommager la finition. Utilisez un chiffon propre et sec.
- Conservez ce mode d'emploi dans un endroit sûr pour référence ultérieure.
- Quand cet appareil est en service, allumer un téléviseur à proximité peut entraîner l'apparition de lignes sur l'écran de celui-ci, en fonction de la fréquence de la télédiffusion. Ce n'est pas un mauvais fonctionnement de l'unité ni du téléviseur. Si vous voyez de telles lignes, éloignez l'unité du téléviseur.

### Entretien

Si la surface de l'unité est sale, essuyez-la avec un chiffon doux ou utilisez un savon liquide neutre dilué. Veillez à enlever tout liquide. N'utilisez pas de diluant ni d'alcool car ils peuvent endommager la surface de l'unité.

# Identification des parties (1)

## Face avant



**A** Sélecteur de signal XLR1

**B** Sélecteur de signal XLR2

**C** Sélecteur de signal PHONO

**D** Sélecteur de signal CD

**E** Sélecteur de signal TUNER

**F** Sélecteur de signal AUX

**G** Sélecteur de signal BYPASS

**H** Sélecteur d'enceintes A/B SPEAKER (groupe A)

**I** Sélecteur d'enceintes A/B SPEAKER (groupe B)

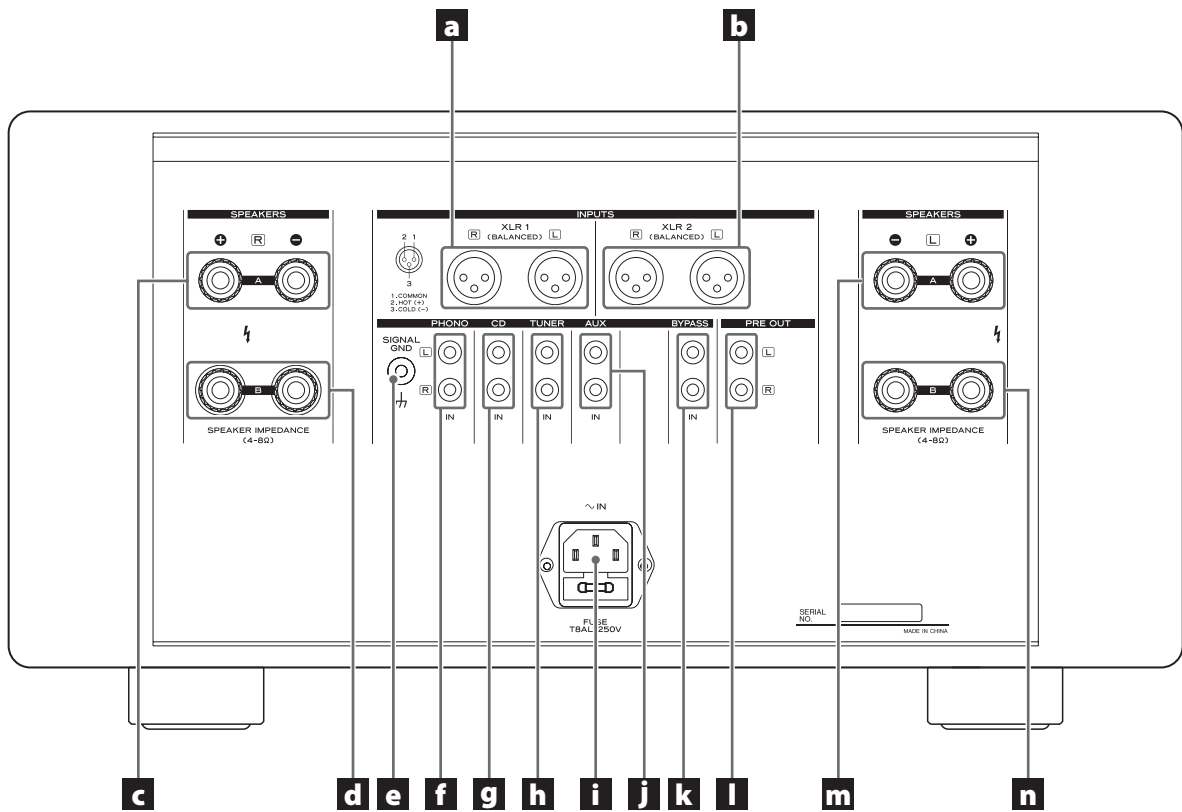
**J** Récepteur de télécommande

**K** Bouton de VOLUME

**L** Voyant d'alimentation POWER

**M** Interrupteur d'alimentation POWER

## Face arrière



**a** Prises XLR1 d'entrée de signal

**b** Prises XLR2 d'entrée de signal

**c** Borne de sortie du canal droit pour enceinte (groupe A)

**d** Borne de sortie du canal droit pour enceinte (groupe B)

**e** Borne de masse

**f** Prises d'entrée de signal PHONO

**g** Prises d'entrée de signal CD

**h** Prises d'entrée de signal TUNER

**i** Embase d'alimentation secteur (avec fusible)

**j** Prises d'entrée de signal AUX

**k** Prises d'entrée BYPASS

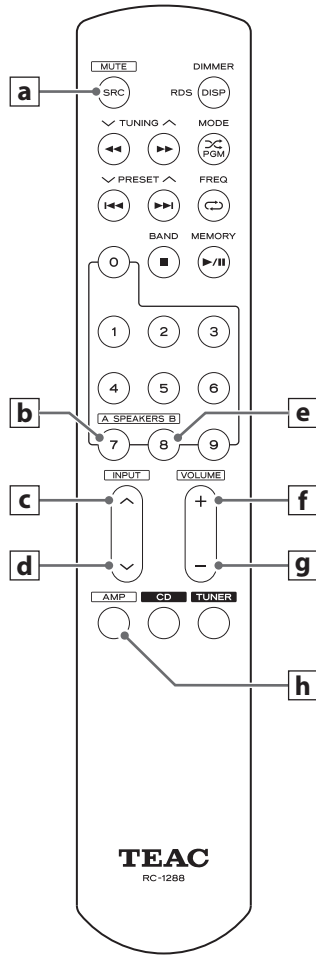
**l** Prises de sortie de préampli

**m** Borne de sortie du canal gauche pour enceinte (groupe A)

**n** Borne de sortie du canal gauche pour enceinte (groupe B)

# Identification des parties (2)

## Télécommande



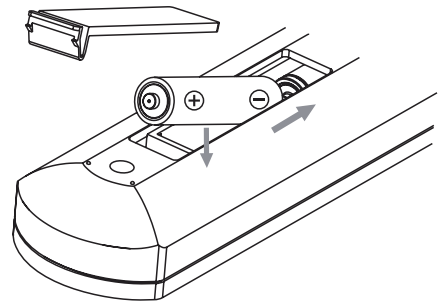
- a** MUTE (coupure du son)
- b** Sélecteur d'enceintes (groupe A)
- c** INPUT ^ (sélecteur d'entrée suivante)
- d** INPUT v (sélecteur d'entrée précédente)
- e** Sélecteur d'enceintes (groupe B)
- f** VOLUME +
- g** VOLUME -
- h** AMP



## Note avant utilisation de la télécommande

- Appuyez sur la touche AMP pour passer en mode AMP avant de piloter l'unité depuis la télécommande.
- La portée de fonctionnement de la télécommande ne dépasse pas 10 m et un angle de 30 degrés.
- Les touches qui ne sont ni listées ni mentionnées dans le schéma de la télécommande ne servent pas pour cette unité. Il est donc normal qu'il n'y ait aucune réponse quand vous appuyez sur celles-ci.

## Mise en place des piles



- 1** Ouvrez le compartiment des piles de la télécommande.
- 2** Insérez deux piles AAA. Assurez-vous que les piles sont insérées avec les pôles plus  $\oplus$  et moins  $\ominus$  correctement orientés.
- 3** Refermez le compartiment.

## Mise sous/hors tension

Branchez le cordon d'alimentation et le câble de signal de l'unité. Ensuite, appuyez sur l'interrupteur d'alimentation POWER de la face avant pour allumer l'unité [⏻]. Le voyant d'alimentation de la face avant est allumé et l'unité est maintenant en mode de fonctionnement normal.

Pour éteindre l'unité, appuyez sur l'interrupteur d'alimentation POWER en face avant. L'interrupteur est en position off [⏻], le voyant d'alimentation puis l'unité s'éteignent. Débranchez le cordon d'alimentation de la prise secteur quand l'appareil reste inutilisé durant une longue période.

## Changement d'entrée

Pour sélectionner le port d'entrée que vous souhaitez utiliser, appuyez sur la touche de sélection du signal correspondant en face avant ou sur une des touches INPUT  $\wedge$  ou  $\vee$  de la télécommande. Le voyant correspondant à cette entrée s'allume en conséquence.

## Réglage du volume

Vous pouvez régler le volume avec le bouton VOLUME en face avant de l'unité.

Pour augmenter le volume, tournez le bouton dans le sens horaire. Pour diminuer le volume, tournez le bouton dans le sens anti-horaire. Vous pouvez aussi utiliser les touches VOLUME + ou - de la télécommande pour régler le volume.

Avec le bouton VOLUME ou les touches VOLUME + et -, réglez à chaque fois le volume au minimum avant d'allumer l'unité puis montez-le progressivement pour éviter d'endommager vos haut-parleurs.

## Protection de sortie

Quand la sortie de l'amplificateur de puissance est saturée, le relais du circuit de protection de l'amplificateur de puissance se coupe instantanément. Tous les voyants de la face avant s'allument en même temps et le volume est automatiquement abaissé. À cet instant, éteignez l'unité et supprimez toute cause de saturation. Après environ 5 minutes, rallumez l'unité et vérifiez son bon fonctionnement.

## Sélection d'enceintes A/B SPEAKER

Appuyez sur la touche [A SPEAKERS B] de la face avant ou de la télécommande, et choisissez les sorties A ou B. Si les témoins A et B sont tous deux allumés en face avant, cela signifie que la sortie se fait à la fois par les enceintes A et B. Si seul un témoin A ou B de la face avant est allumé, c'est que les autres enceintes sont coupées.

## Coupure du son

Appuyez sur la touche MUTE de la télécommande pour couper le son produit par les enceintes connectées.

En mode Mute (son coupé), appuyez à nouveau sur la touche MUTE de la télécommande pour revenir au mode de lecture normal.

Si vous rencontrez des problèmes avec l'unité, veuillez prendre un moment pour parcourir ce tableau avant de solliciter une réparation. Si le problème persiste, contactez votre revendeur ou le service clientèle/technique de TEAC (coordonnées au dos de la couverture).

### Pas d'alimentation.

- ➔ Vérifiez le branchement à la prise secteur. Vérifiez et assurez-vous que la source d'alimentation n'est pas une prise commutée et, si c'est le cas, qu'elle est en service. Vérifiez que la prise délivre bien du courant en y branchant un autre appareil tel qu'une lampe ou un ventilateur.

### La télécommande ne fonctionne pas.

- ➔ Appuyez sur la touche POWER de l'unité pour l'allumer.
- ➔ Si les piles sont épuisées, changez-les.
- ➔ Dans les limites de la portée de 10 m, pointez la télécommande directement vers la face avant de l'unité.
- ➔ Retirez tout obstacle entre la télécommande et l'unité.

### Pas de son

- ➔ Vérifiez le branchement à l'amplificateur.
- ➔ Vérifiez le fonctionnement de l'amplificateur.
- ➔ La coupure du son (Mute) est activée. Appuyez sur la touche MUTE. Sélectionnez la source correcte.
- ➔ La protection de sortie s'est activée. Éteignez l'unité, recherchez les causes possibles (par ex. des câbles d'enceinte en court-circuit, la connexion d'enceintes de mauvaise impédance) et résolvez le problème. Attendez 5 minutes avant de rallumer.

### Section amplificateur

Puissance de sortie.....	200 W + 200 W (8 Ω) 300 W + 300 W (4 Ω)
Réponse en fréquence.....	10 Hz - 30 kHz (-0,5 dB)
Rapport signal/bruit.....	102 dB (pondération A)
Distorsion harmonique totale.....	0,01 % ou moins
Sensibilité d'entrée.....	280 mV/47 kΩ

### Générales

Alimentation électrique.....	CA 230 V, 50 Hz
Consommation électrique (nominale).....	570 W
Dimensions (L x H x P).....	435 x 230 x 520 mm
Poids.....	31,3 kg
Température de fonctionnement.....	+5°C - +35°C
Hygrométrie de fonctionnement... ..	5 % - 85 % (sans condensation)
Température de fonctionnement.....	-10°C - +55°C

### Accessoires


Cordon d'alimentation x 1
Télécommande x 1
Pile AAA x 2
Carte de garantie x 1
Mode d'emploi x 1

- Conception et caractéristiques techniques sont sujettes à changements sans préavis.
- Le poids et les dimensions sont des valeurs approchées.
- Les illustrations peuvent légèrement différer des modèles de production.


- Do not expose this apparatus to drips or splashes.
- Do not place any objects filled with liquids, such as vases, on the apparatus.
- Do not install this apparatus in a confined space such as a book case or similar unit.
- The apparatus draws nominal non-operating power from the AC outlet with its POWER or STANDBY/ON switch not in the ON position.
- The apparatus should be located close enough to the AC outlet so that you can easily reach the power cord plug at any time.
- The mains plug is used as the disconnect device, the disconnect device shall remain readily operable.
- Products with Class I construction are equipped with a power supply cord that has a grounding plug. The cord of such a product must be plugged into an AC outlet that has a protective grounding connection.
- If the product uses batteries (including a battery pack or installed batteries), they should not be exposed to sunshine, fire or excessive heat.
- CAUTION for products that use replaceable lithium batteries: there is danger of explosion if a battery is replaced with an incorrect type of battery. Replace only with the same or equivalent type.
- Caution should be taken when using earphones or headphones with the product because excessive sound pressure (volume) from earphones or headphones can cause hearing loss.

### For European customers

#### Disposal of electrical and electronic equipment

- All electrical and electronic equipment should be disposed of separately from the municipal waste stream via collection facilities designated by the government or local authorities.
- By disposing of electrical and electronic equipment correctly, you will help save valuable resources and prevent any potential negative effects on human health and the environment.
- Improper disposal of waste electrical and electronic equipment can have serious effects on the environment and human health because of the presence of hazardous substances in the equipment.
- The Waste Electrical and Electronic Equipment (WEEE) symbol, which shows a wheeled bin that has been crossed out, indicates that electrical and electronic equipment must be collected and disposed of separately from household waste. 
- Return and collection systems are available to end users. For more detailed information about the disposal of old electrical and electronic equipment, please contact your city office, waste disposal service or the shop where you purchased the equipment.

#### Disposal of batteries and/or accumulators

- Waste batteries and/or accumulators should be disposed of separately from the municipal waste stream via collection facilities designated by the government or local authorities.
- By disposing of waste batteries and/or accumulators correctly, you will help save valuable resources and prevent any potential negative effects on human health and the environment.
- Improper disposal of waste batteries and/or accumulators can have serious effects on the environment and human health because of the presence of hazardous substances in them.
- The WEEE symbol, which shows a wheeled bin that has been crossed out, indicates that batteries and/or accumulators must be collected and disposed of separately from household waste.   
**Pb, Hg, Cd**  
If a battery or accumulator contains more than the specified values of lead (Pb), mercury (Hg), and/or cadmium (Cd) as defined in the Battery Directive (2006/66/EC), then the chemical symbols for those elements will be indicated beneath the WEEE symbol.
- Return and collection systems are available to end users. For more detailed information about the disposal of waste batteries and/or accumulators, please contact your city office, waste disposal service or the shop where you purchased them.

**Gracias por elegir TEAC. Lea este manual con atención para obtener el mejor rendimiento de esta unidad.**

Antes de usar la unidad.....	21
Identificación de las partes .....	22
Funcionamiento básico.....	26
Solución de posibles fallos.....	27
Especificaciones.....	27

## Lea esto antes de llevar a cabo ninguna operación

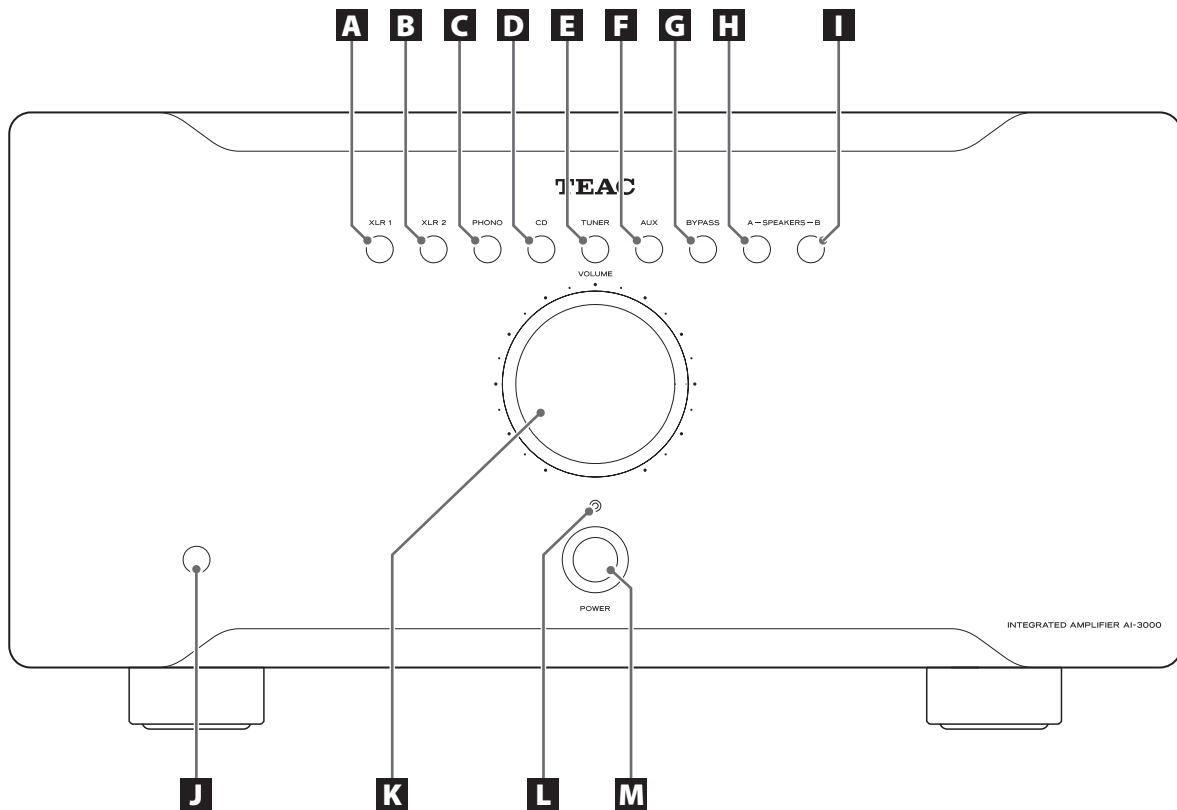
- Lleve cuidado para evitar lesiones cuando mueva la unidad, debido a su peso. Solicite la ayuda de otra persona si es necesario.
- Para evitar que los muebles se rayen con facilidad, puede pegar en las patas los protectores de fieltro suministrados con la unidad.
- Como la unidad puede calentarse durante el funcionamiento, deje siempre suficiente espacio a su alrededor para la ventilación. Los agujeros de ventilación no deben taparse. Asegúrese de que hay al menos un espacio de 20 cm por encima y al menos 5 cm a cada lado. NO ponga nada encima de la unidad.
- El voltaje suministrado a la unidad deberá coincidir con el voltaje que está impreso en el panel posterior. Si tiene dudas al respecto, consulte a un electricista.
- Elija con cuidado el emplazamiento para la instalación de la unidad. Evite colocarla donde le dé la luz solar directa o cerca de una fuente de calor. Evite también lugares sujetos a vibraciones y a polvo, calor, frío o humedad excesivos.
- No sitúe la unidad sobre un amplificador ni sobre cualquier otro aparato que genere calor.
- No abra la carcasa porque podría causar daños en los circuitos o una descarga eléctrica. En caso de que se introduzca un objeto extraño en la unidad, contacte con su distribuidor o con un servicio técnico autorizado.
- Cuando desenchufe el cable de corriente de una toma de electricidad, tire siempre directamente del conector, nunca del cable.
- No intente limpiar la unidad con disolventes químicos ya que podrían dañar el acabado. Utilice un paño limpio y seco.
- Conserve este manual en un lugar seguro para futuras consultas.
- Cuando la unidad está encendida, al encender una televisión cercana pueden aparecer líneas en la pantalla de la televisión, dependiendo de la frecuencia de la emisión de televisión. Esto no significa un mal funcionamiento de la unidad ni de la televisión. Si se ven tales líneas, aleje lo más posible esta unidad del aparato de televisión.

## Mantenimiento

Si la superficie de la unidad se ensucia, límpiela con un paño suave o utilice un producto de limpieza líquido y neutro diluido. Asegúrese de secar completamente cualquier resto de fluido. No utilice disolvente ni alcohol ya que pueden dañar la superficie de la unidad.

# Identificación de las partes (1)

## Panel frontal



**A** Selector de señal "XLR1"

**B** Selector de señal "XLR2"

**C** Selector de señal "PHONO" (plato giradiscos)

**D** Selector de señal "CD"

**E** Selector de señal "TUNER" (sintonizador)

**F** Selector de señal "AUX" (auxiliar)

**G** Selector de señal "BYPASS" (paso de señal)

**H** Selector de altavoces A/B "A/B SPEAKER" (grupo A)

**I** Selector de altavoces A/B "A/B SPEAKER" (grupo B)

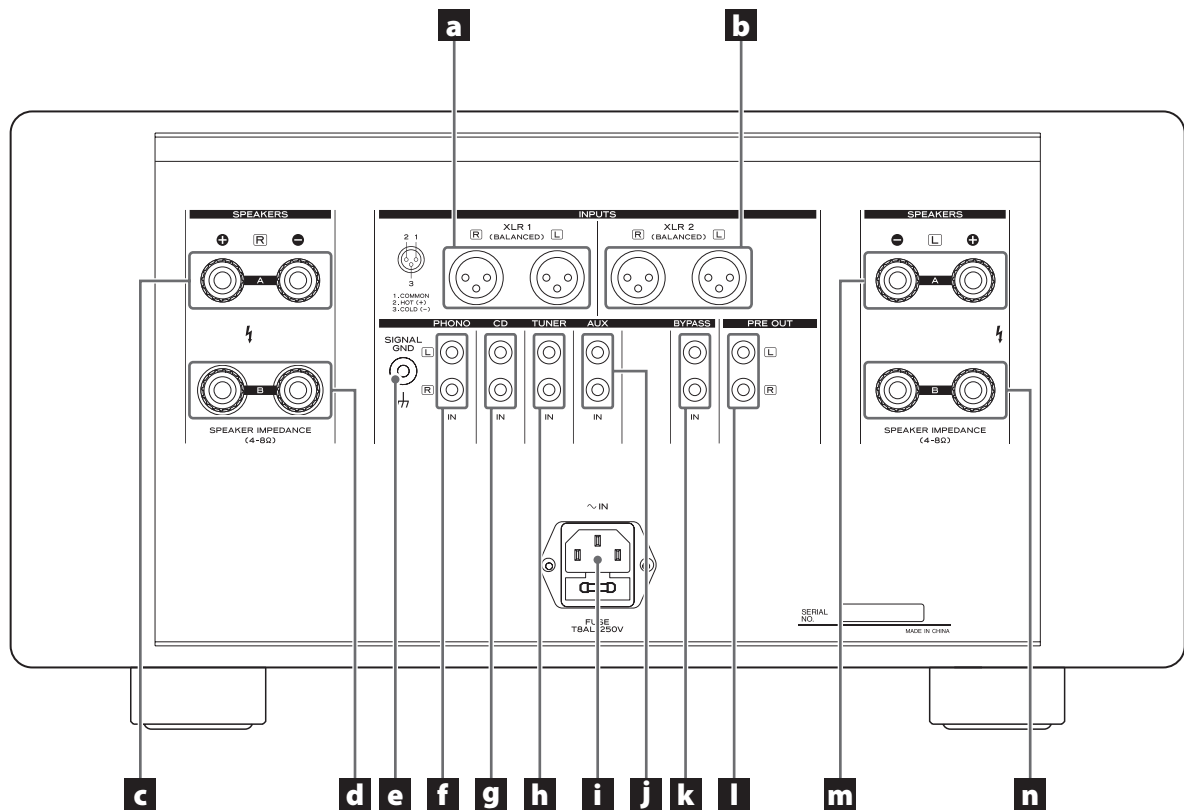
**J** Receptor de la señal del mando a distancia

**K** Mando de volumen "VOLUME"

**L** Indicador de encendido "POWER"

**M** Botón de encendido

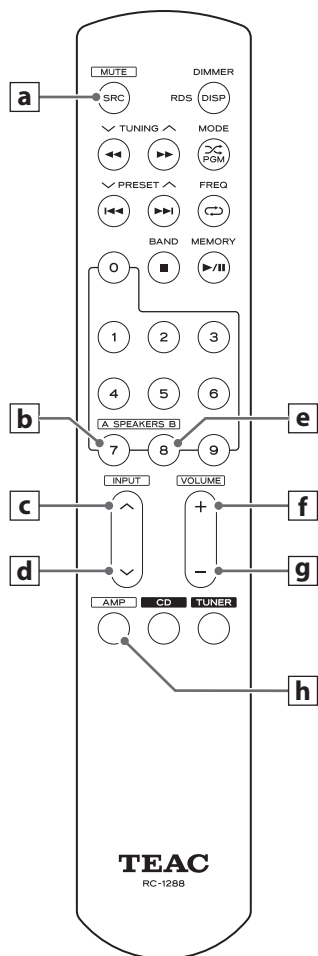
## Panel posterior



- a** Terminales de entrada de señal "XLR1"
- b** Terminales de entrada de señal "XLR2"
- c** Terminales de salida de altavoz canal derecho "R" (grupo A)
- d** Terminales de salida de altavoz canal derecho "R" (grupo B)
- e** Terminal de conexión a tierra
- f** Terminales de entrada de señal "PHONO" (plato giradiscos)
- g** Terminales de entrada de señal "CD"
- h** Terminales de entrada de señal "TUNER" (sintonizador)
- i** Conector de entrada de corriente (con fusible)
- j** Terminales de entrada de señal "AUX" (auxiliar)
- k** Terminales de entrada de señal "BYPASS" (paso de señal)
- l** Terminales de salida "PRE OUT" (salida de preamplificador)
- m** Terminales de salida de altavoz canal izquierdo "L" (grupo A)
- n** Terminales de salida de altavoz canal izquierdo "L" (grupo B)

## Identificación de las partes (2)

### Mando a distancia



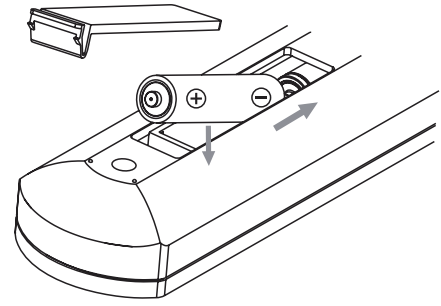
- a** MUTE (silenciamiento)
- b** Selector de altavoces (grupo A)
- c** INPUT ^ (selector de entrada siguiente)
- d** INPUT v (selector de entrada anterior)
- e** Selector de altavoces (grupo B)
- f** VOLUME + (subir el volumen)
- g** VOLUME - (bajar el volumen)
- h** AMP (amplificador)



### Nota antes de utilizar al mando a distancia

- Pulse el botón AMP para entrar en el modo de "amplificador" antes manejar la unidad usando el mando a distancia.
- El rango de alcance efectivo del mando a distancia no es mayor de 10 metros y su ángulo de efectividad no es mayor de 30 grados.
- Los botones que no se enumeran o se mencionan en el gráfico del mando a distancia no se utilizan para esta unidad. Es normal que no haya respuesta cuando los pulse.

### Instalación de las pilas



- 1** Abra la tapa del mando a distancia
- 2** Inserte dos pilas AAA. Asegúrese de que las pilas se insertan con sus polos positivo ⊕ y negativo ⊖ correctamente posicionados.
- 3** Cierre la tapa.

## Encendido/Apagado

Connect the power cord and signal cable of the unit.

A continuación, pulse el botón POWER en el panel frontal para encender la unidad [⏻]. El indicador "POWER" del panel frontal se iluminará y la unidad está ahora en su modo de funcionamiento normal.

Para apagar la unidad, pulse el botón POWER en el panel frontal. El botón quedará en la posición de desactivación [⏻] y el indicador de encendido y la unidad se apagarán. Desconecte el cable de corriente de la toma de electricidad cuando la unidad no se vaya a usar durante un largo periodo de tiempo.

## Selector de entrada

Para seleccionar el terminal de entrada que desee utilizar, pulse el correspondiente botón selector de señal en el panel frontal o el botón INPUT  $\wedge$  o  $\vee$  en el mando a distancia. Se iluminará el correspondiente indicador de estado de entrada.

## Ajuste del volumen

El volumen se puede ajustar mediante el mando giratorio VOLUME del panel frontal de la unidad.

Para subir el volumen, gírelo hacia la derecha. Para bajar el volumen, gírelo hacia la izquierda.

También puede utilizar el botón VOLUME + o - en el mando a distancia para ajustar el volumen.

Usando el mando giratorio VOLUME o los botones VOLUME + y -, ajuste el volumen al mínimo antes de encender la unidad cada vez y después suba el nivel del volumen gradualmente para evitar daños a los altavoces.

## Protección de salida

Cuando la salida del amplificador está sobrecargada, el relé del circuito de protección del amplificador se desconectará enseguida. Todos los indicadores del panel frontal se iluminarán al mismo tiempo y el volumen se bajará automáticamente. En ese momento, apague la unidad y elimine cualquier causa de sobrecarga. En aproximadamente 5 minutos, vuelva a encender la unidad para comprobar si funciona con normalidad.

## Selección de ALTAVOCES A/B

Pulse el botón [A SPEAKERS B] del panel frontal o del mando a distancia y a continuación elija el selector de salida A o B. Si los indicadores A y B del panel frontal están ambos encendidos, significa que ambos grupos de altavoces, A y B, tienen salida. Si solamente uno de los indicadores está encendido, A o B, significa que el otro grupo de altavoces está desactivado.

## Silenciamiento (MUTE)

Pulse el botón MUTE en el mando a distancia para silenciar la salida de sonido por los altavoces conectados a la unidad.

Mientras esté en el modo de silenciamiento, pulse otra vez el botón MUTE en el mando a distancia para regresar al modo de reproducción normal.

## Solución de posibles fallos

Si experimenta algún problema con la unidad, por favor tómese unos momentos para mirar la información que viene a continuación antes de solicitar una reparación. Si el problema persiste, póngase en contacto con su distribuidor o con el servicio técnico/de atención al cliente de TEAC (los encontrará en la contraportada).

### No hay corriente

- ➔ Compruebe la conexión a la toma de electricidad. Compruebe y asegúrese de que la toma de electricidad no es una toma con interruptor y que, si lo es, el interruptor está activado. Asegúrese de que llega corriente a la toma de electricidad enchufando en ella otro aparato como por ejemplo una lámpara o un ventilador.

### El mando a distancia no funciona.

- ➔ Pulse el interruptor de encendido/apagado (POWER) de la unidad principal para encenderla.
- ➔ Si las pilas están gastadas, cámbielas.
- ➔ Dentro del rango especificado de 10 m, apunte con el mando a distancia directamente hacia el panel frontal de la unidad.
- ➔ Quite cualquier obstáculo que haya entre el mando a distancia y la unidad principal.

### No hay sonido

- ➔ Compruebe la conexión al amplificador.
- ➔ Compruebe el funcionamiento del amplificador.
- ➔ La función de silenciamiento (MUTE) está activada. Pulse el botón MUTE. Seleccione la fuente de entrada correcta.
- ➔ Se ha activado la Protección de Salida. Apague la unidad, compruebe las posibles causas (por ejemplo, cables de altavoces cortocircuitados o altavoces conectados con una impedancia incorrecta) y resuelva el problema. Espere 5 minutos antes de volver a encender la unidad.

## Especificaciones

### Sección del amplificador

Salida de potencia .....	200 W + 200 W (8 Ω) 300 W + 300 W (4 Ω)
Respuesta de frecuencias .....	10 Hz - 30 KHz (-0.5 dB)
Relación señal/ruido .....	102 dB (ponderados A)
Distorsión armónica total .....	0.01 % o inferior
Sensibilidad de entrada .....	280 mV/47 KΩ

### General

Requerimientos de alimentación .....	CA 230 V 50 Hz
Consumo de corriente (nominal) .....	570 W
Dimensiones (ancho x alto x profundo) .....	435 x 230 x 520 mm
Peso .....	31.3 kg
Temperatura de funcionamiento .....	+5°C - +35°C
Humedad de funcionamiento .....	5 % - 85 % (sin condensación)
Temperatura de almacenamiento .....	-10°C - +55°C

### Accesorios



Cable de corriente x 1
Mando a distancia x 1
Pilas AAA x 2
Tarjeta de garantía x 1
Manual de usuario x 1

- El diseño y las especificaciones están sujetos a cambios sin previo aviso.
- El peso y las dimensiones son aproximados.
- Las ilustraciones pueden diferir ligeramente de los modelos de producción.

- Setzen Sie den AI-3000 nicht Tropf- oder Spritzwasser aus.
- Stellen Sie keine Vasen oder andere mit Flüssigkeiten gefüllte Gefäße auf den Verstärker.
- Installieren Sie den AI-3000 nicht in geschlossenen Regalsystemen oder ähnlichen Möbelstücken.
- Der Verstärker bezieht auch dann einen geringen Ruhestrom aus dem Netz, wenn sich der POWER- oder STANDBY/ON-Schalter nicht in der ON-Position befindet.
- Der Betriebsort des AI-3000 sollte in der Nähe der Wandsteckdose sein, so dass Sie jederzeit den Netzstecker erreichen.
- Der Netzstecker dient als Verbindungs-/Trennglied zur Spannungsversorgung. Achten Sie darauf, dass er stets in einwandfreiem Zustand ist.
- Der Netzstecker von „Class I“-Produkten besitzt einen Schutzkontakt. Achten Sie darauf, dass die Wandsteckdose, an der Sie den AI-3000 anschließen, geerdet ist (Schutzkontaktsteckdose).
- Falls in diesem Produkt Batterien (inklusive Akkupack oder austauschbaren Trockenbatterien) verwendet werden, dürfen diese nicht direkter Sonne, Feuer oder großer Hitze ausgesetzt sein.
- ACHTUNG bei Verwendung von Lithium-Batterien: bei inkorrekt vorgenommenem Batteriewechsel besteht Explosionsgefahr. Ersetzen Sie verbrauchte Batterien ausschließlich durch frische des gleichen oder gleichwertigen Typs.
- Achten Sie auf Ihr Gehör, wenn Sie Ohr- oder Kopfhörer am AI-2000 betreiben. Zu hoher Schalldruck von Ohr- oder Kopfhörern kann Hörschäden oder Gehörverlust verursachen.

## Für Kunden in Europa

### Entsorgung von elektrischen Altgeräten und Batterien

- (a) Wenn das Symbol einer durchgestrichenen Abfalltonne auf einem Produkt, der Verpackung und/oder der begleitenden Dokumentation angebracht ist, unterliegt dieses Produkt den europäischen Richtlinien 2002/96/EC und/oder 2006/66/EC sowie nationalen Gesetzen zur Umsetzung dieser Richtlinien. 
- (b) Diese Richtlinien und Gesetze schreiben vor, dass Elektro- und Elektronik-Altgeräte sowie Batterien und Akkus nicht in den Hausmüll (Restmüll) gelangen dürfen. Um die fachgerechte Entsorgung, Aufbereitung und Wiederverwertung sicherzustellen, sind Sie verpflichtet, Altgeräte und entladene Batterien/Akkus über staatlich dafür vorgesehene Stellen zu entsorgen.
- (c) Durch die ordnungsgemäße Entsorgung solcher Geräte, Batterien und Akkus leisten Sie einen Beitrag zur Einsparung wertvoller Rohstoffe und verhindern potenziell schädliche Auswirkungen auf die Gesundheit der Allgemeinheit und die Umwelt, die durch falsche Abfallentsorgung entstehen können. Die Entsorgung ist für Sie kostenlos.
- (d) Falls der Gehalt an Blei (Pb), Quecksilber (Hg) und/oder Cadmium (Cd) in Batterien/Akkus die in der Richtlinie zur Batterieentsorgung (2006/66/EC) angegebenen, zulässigen Höchstwerte übersteigen, wird die Bezeichnung des entsprechenden chemischen Elements oder der Elemente unterhalb der durchgestrichenen Abfalltonne angegeben.  **Pb, Hg, Cd**
- (e) Weitere Informationen zur Wertstoffsammlung und Wiederverwertung von Altgeräten, Batterien und Akkus erhalten Sie bei Ihrer Stadtverwaltung, dem für Sie zuständigen Abfallentsorgungsunternehmen oder der Verkaufsstelle, bei der Sie das Produkt erworben haben.

**Danke, dass Sie sich für dieses TEAC-Produkt entschieden haben. Lesen Sie diese Bedienungsanleitung bitte aufmerksam durch, um die Leistung des AI-3000 in vollem Umfang nutzen zu können**

Vor der ersten Inbetriebnahme .....	29
Bedienelemente und Anschlüsse .....	30
Grundlegende Bedienung .....	34
Hilfe bei Funktionsstörungen .....	35
Technische Daten .....	35

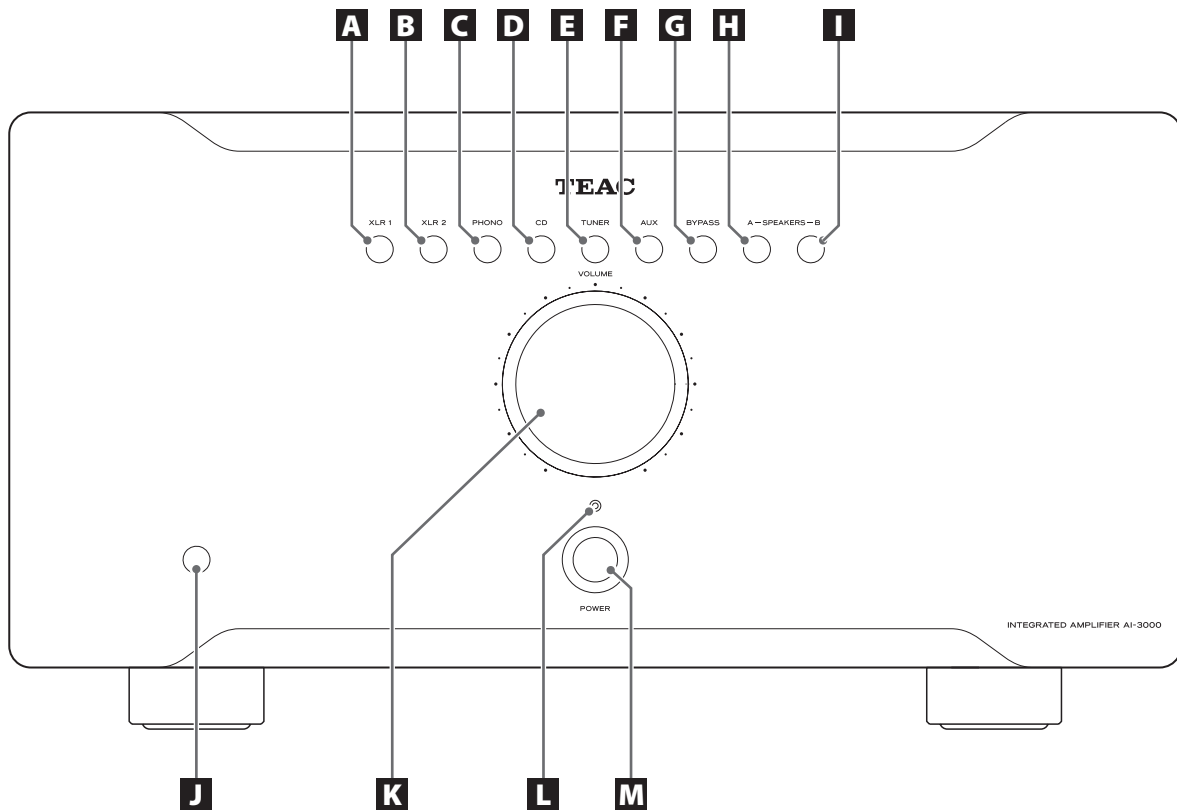
## Lesen und beachten Sie folgende Hinweise

- Aufgrund des Gewichts besteht beim Heben oder Tragen des AI-2000 Verletzungsgefahr. Falls erforderlich, bitten Sie Jemand um Hilfe.
- Um Kratzer auf empfindlichen Möbeln zu vermeiden, können die mitgelieferten Filzpolster unter den Standfüßen angebracht werden.
- Achten Sie auf ausreichenden Belüftungsabstand, da sich der AI-2000 während des Betriebs erwärmen kann. Verdecken Sie niemals die Belüftungsöffnungen. Achten Sie darauf, dass oberhalb stets mindestens 20 cm und seitlich mindestens 5 cm Belüftungsabstand verbleiben. Stellen Sie KEINE Gegenstände auf den Verstärker.
- Die Spannung, an der der AI-3000 betrieben wird, sollte den Angaben auf der Geräterückseite entsprechen. Falls Sie diesbezüglich Zweifel haben, kontaktieren Sie einen Elektrofachmann.
- Wählen Sie einen Aufstellungsort, an dem der AI-3000 nicht direktem Sonnenlicht oder anderen Wärmequellen ausgesetzt ist. Vermeiden Sie ebenfalls Betriebsorte mit erhöhtem Staubaufkommen oder solche, die Erschütterungen, Hitze, Kälte sowie Feuchtigkeit ausgesetzt sind.
- Betreiben Sie den AI-3000 nicht auf anderen Verstärkern, Endstufen, Receivern oder anderen Geräten, die Wärme erzeugen.
- Öffnen Sie nicht das Gehäuse, da dies Schäden an der Elektronik oder einen Stromschlag verursachen kann. Falls ein Fremdkörper ins Geräteinnere eingedrungen ist, kontaktieren Sie Ihren Fachhändler oder ein autorisiertes Servicecenter.
- Achten Sie beim Ziehen des Netzsteckers darauf, dass Sie stets am Stecker ziehen und niemals am Kabel.
- Reinigen Sie den AI-3000 nicht mit chemischen Lösungsmitteln, da diese das Gehäuse beschädigen können. Verwenden Sie ein sauberes, trockenes Tuch.
- Bewahren Sie diese Bedienungsanleitung an einem sicheren Ort auf, um jederzeit Etwas darin nachschlagen zu können.
- Bei eingeschaltetem AI-3000 können, nach Einschalten eines Fernsehgeräts, Linien im Fernsehbild erscheinen. Hierbei handelt es sich nicht um Fehlfunktionen, sondern um Interferenzen, die unter bestimmten Umständen auftreten können. Falls dieser Effekt auftritt, vergrößern Sie den Abstand zwischen Verstärker und TV-Gerät.

## Pflegehinweis

Falls die Gehäuseoberfläche verschmutzt ist, verwenden Sie zum Reinigen ein weiches Tuch oder milde Seifenlösung. Achten Sie darauf, dass die Gehäuseoberfläche vor der erneuten Inbetriebnahme des AI-3000 komplett trocken ist. Verwenden Sie niemals Verdüner oder Alkohol, da diese Substanzen die Gehäuseoberfläche beschädigen können.

## Frontansicht



**A** XLR1-Direktwahltaste

**B** XLR2-Direktwahltaste

**C** PHONO-Direktwahltaste

**D** CD-Direktwahltaste

**E** TUNER-Direktwahltaste

**F** AUX-Direktwahltaste

**G** BYPASS-Direktwahltaste

**H** A/B SPEAKERS-Lautsprecherwahltaste (SPEAKERS A)

**I** A/B SPEAKERS-Lautsprecherwahltaste (SPEAKERS B)

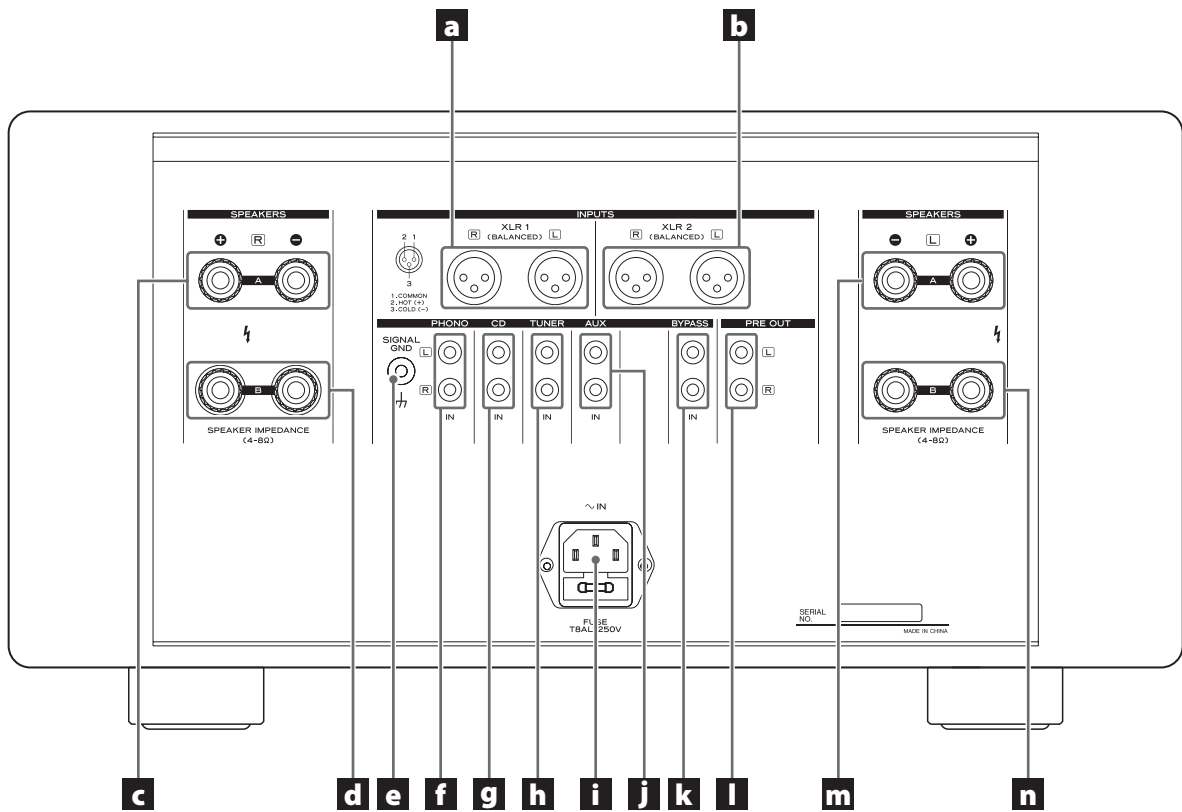
**J** Fernbedienungssensor

**K** Lautstärkeregler

**L** Netzanzeige

**M** Netzschalter (POWER)

## Rückansicht



**a** Symmetrische XLR1-Eingänge

**b** Symmetrische XLR2-Eingänge

**c** Lautsprecheranschlüsse für den rechten Kanal (Gruppe A)

**d** Lautsprecheranschlüsse für den rechten Kanal (Gruppe B)

**e** Masseanschluss

**f** PHONO-Eingänge

**g** CD-Eingänge

**h** TUNER-Eingänge

**i** Netzanschluss (mit Sicherung)

**j** AUX-Eingänge

**k** BYPASS-Eingänge

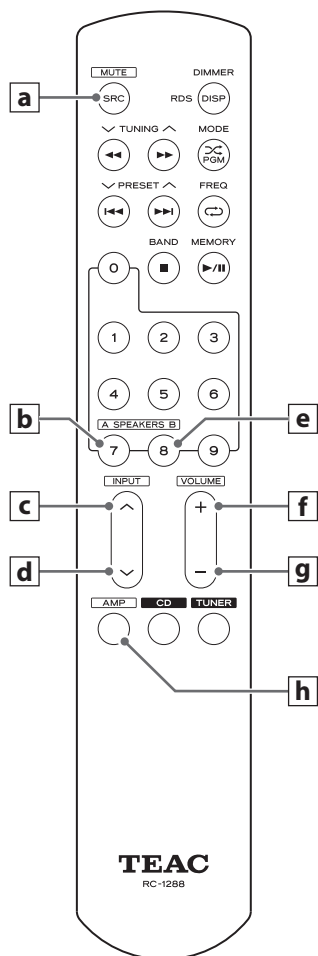
**l** PRE OUT-Vorverstärkerausgänge

**m** Lautsprecheranschlüsse für den linken Kanal (Gruppe A)

**n** Lautsprecheranschlüsse für den linken Kanal (Gruppe B)

## Bedienelemente und Anschlüsse (2)

### Fernbedienung



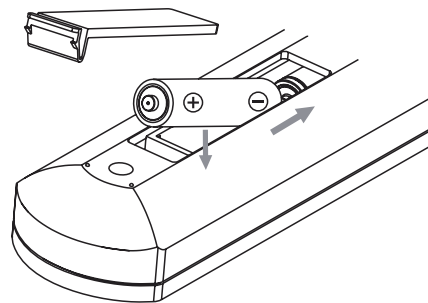
- a** MUTE-Taste (Stummschaltung)
- b** Lautsprecherdirektwahltaste Gruppe A (SPEAKERS A)
- c** INPUT ^ (wählt den nächsten Eingang)
- d** INPUT v (wählt den vorherigen Eingang)
- e** Lautsprecherdirektwahltaste Gruppe B (SPEAKERS B)
- f** VOLUME + (Wiedergabelautstärke erhöhen)
- g** VOLUME - (Wiedergabelautstärke vermindern)
- h** AMP-Taste (wählt den Verstärker als zu steuerndes Gerät)



## Hinweise:

- Betätigen Sie die AMP-Taste und wählen Sie „AMP“, bevor Sie die Fernbedienung weiter verwenden.
- Der effektive Betriebsradius der Fernbedienung beträgt maximal zehn Meter und der Richtwinkel beträgt maximal 30 Grad.
- Tasten der Fernbedienung, die hier nicht erklärt werden, besitzen keine Funktion zur Steuerung des Tuners. Daher ist es normal, dass bei deren Betätigen keine Funktion ausgelöst wird.

## Einsetzen der Batterien



- 1** Öffnen Sie die Batteriefachabdeckung der Fernbedienung.
- 2** Setzen Sie zwei Batterien des Typs „AAA“ ein. Achten Sie hierbei auf deren korrekte Polarität: (+) kennzeichnet den Pluspol und (-) den Minuspol.
- 3** Schließen Sie die Batteriefachabdeckung.

---

## Ein-/Ausschalten

Schließen Sie die Signalkabel und das Netzkabel am AI-3000 an. Schalten Sie den AI-3000 anschließend mittels Netzschalter auf der Gerätevorderseite ein. Der Schalter befindet sich nun in der ON-Position (☐). Die Netzanzeige leuchtet und der Verstärker befindet sich im normalen Betriebsmodus.

Betätigen Sie zum Ausschalten ebenfalls den Netzschalter. Der Schalter befindet sich danach in der OFF-Position (☐) und die Netzanzeige erlischt. Ziehen Sie den Netzstecker, wenn Sie den Verstärker über einen längeren Zeitraum nicht verwenden.

---

## Wählen einer Signalquelle/eines Eingangs

Betätigen Sie zum Wechseln der Signalquelle/des Eingangs die entsprechende Direktwahltaste am AI-3000 oder die INPUT-Tasten (↗ oder ↘) auf der Fernbedienung. Die jeweils zugehörige Eingangssignalanzeige leuchtet.

---

## Einstellen der Wiedergabelautstärke

Die Wiedergabelautstärke kann mittels Lautstärkeregler (VOLUME) am AI-3000 geregelt werden.

Drehen gegen den Uhrzeigersinn vermindert die Wiedergabelautstärke, Drehen im Uhrzeigersinn erhöht die Wiedergabelautstärke.

Die VOLUME-Tasten (+ oder -) auf der Fernbedienung können ebenfalls zum Einstellen der Wiedergabelautstärke verwendet werden.

Stellen Sie vor jedem Einschalten des AI-2000 mittels Lautstärkeregler (VOLUME) oder VOLUME-Tasten (+ oder -) die minimale Wiedergabelautstärke ein, um die angeschlossenen Lautsprechersysteme vor Schäden durch hohe Einschaltpegel zu schützen. Erhöhen Sie die Lautstärke anschließend behutsam.

---

## Überlastschutzschaltung

Wird am Endstufenausgang eine Überlastung festgestellt, spricht die Schutzschaltung des AI-3000 sofort an und schaltet die Endstufe aus. Alle Anzeigen des Verstärkers leuchten gleichzeitig und die Wiedergabelautstärke wird automatisch auf den Minimalwert zurückgeregelt. Schalten Sie den AI-3000 aus und beheben Sie die Ursache(n) der Überlastung. Schalten Sie den Verstärker nach ungefähr fünf Minuten wieder ein und überprüfen Sie, ob er wieder ordnungsgemäß funktioniert.

---

## A/B-Lautsprecherwahl

Betätigen Sie zum Auswählen der gewünschten Lautsprecherkreise die A/B SPEAKERS-Taste am AI-3000 oder die SPEAKERS A- oder SPEAKERS B-Taste auf der Fernbedienung. Wenn beide Lautsprechergruppen aktiviert sind, leuchten beide SPEAKERS-Anzeigen am AI-3000. Wenn nur ein Lautsprecherkreis aktiviert ist, leuchtet nur die entsprechende SPEAKERS-Anzeige, und über die jeweils anderen Lautsprecherausgänge wird kein Signal übertragen.

---

## Stummschaltung

Betätigen Sie die MUTE-Taste auf der Fernbedienung, um die Wiedergabe über die angeschlossenen Lautsprechersysteme stumm zu schalten.

Durch nochmaliges Betätigen der MUTE-Taste auf der Fernbedienung wird die Stummschaltung wieder aufgehoben und das Audiosignal wird mit der zuvor eingestellten Wiedergabelautstärke wiedergegeben.

Falls beim AI-3000 Funktionsstörungen auftreten sollten, versuchen Sie bitte, anhand der folgenden Hinweise selbst Abhilfe zu schaffen, bevor Sie sich an Ihren Fachhändler oder den TEAC-Kundenservice/technischen Support wenden (Kontaktadressen finden Sie auf der Rückseite dieser Anleitung).

### Kein Strom

- ➔ Überprüfen Sie die Verbindung zwischen Verstärker und Wandsteckdose. Stellen Sie sicher, dass diese nicht über einen Schalter ausgeschaltet ist. Überprüfen Sie die verwendete Steckdose, indem Sie andere Verbraucher (Ventilator, Lampe) daran testen.

### Die Fernbedienung funktioniert nicht.

- ➔ Schalten Sie den AI-3000 mittels Netzschalter (POWER) ein.
- ➔ Ersetzen Sie verbrauchte Batterien durch frische.
- ➔ Richten Sie die Fernbedienung zum Übermitteln von Steuerungsbefehlen innerhalb des Betriebsradius von zehn Metern auf den Infrarotsensor auf der Gerätevorderseite.
- ➔ Entfernen Sie etwaige Hindernisse zwischen Fernbedienung und Verstärker.

### Keine Wiedergabe

- ➔ Überprüfen Sie die Verbindungen zum Verstärker.
- ➔ Überprüfen Sie die einwandfreie Funktion des Verstärkers.
- ➔ Die Stummschaltung ist aktiviert. Betätigen Sie die MUTE-Taste.
- ➔ Wählen Sie die korrekte Signalquelle/den Eingang aus.
- ➔ Die Überlastschuttschaltung wurde aktiviert. Schalten Sie den AI-3000 aus. Beheben Sie die Ursache für das Ansprechen der Schutzschaltung (beispielsweise: Kurzschluss in den Lautsprecherkabeln, Lautsprechersysteme mit falscher Impedance angeschlossen). Warten Sie fünf Minuten, bevor Sie den Verstärker wieder einschalten.

### Verstärkerteil

Ausgangsleistung.....	200 W + 200 W (8 Ω) 300 W + 300 W (4 Ω)
Frequenzgang .....	10 Hz - 30 KHz (-0.5 dB)
Rauschabstand (S/N).....	102 dB (A-bewertet)
Verzerrung (T.H.D.).....	0.01 % oder weniger
Eingangsempfindlichkeit.....	280 mV/47 kΩ

### Allgemein

Spannungsversorgung.....	AC 230 V 50 Hz
Leistungsaufnahme (nominal).....	570 W
Abmessungen (B x H x T).....	435 x 230 x 520 mm
Gewicht .....	31,3 kg
Betriebstemperatur .....	+5° C - +35° C
Luftfeuchtigkeit (Betrieb).....	5 % - 85 % (nicht kondensierend)
Lagerungstemperatur.....	-10° C - +55° C

### Zubehör


Netzkabel x 1
Fernbedienung x 1
AAA-Batterien x 2
Garantiekarte x 1
Bedienungsanleitung x 1

- Änderungen in Design und technischer Ausstattung vorbehalten.
- Gewichtsangaben und Abmessungen sind Näherungswerte.
- Illustrationen können geringfügig von den Produktionsmodellen abweichen.


- Non esporre questo apparecchio a gocce o spruzzi d'acqua.
- Non appoggiare sopra l'apparecchio oggetti contenenti acqua o liquidi di altro genere.
- Non installare questo apparecchio in uno spazio ristretto come una libreria o luoghi simili.
- L'apparecchio consuma una insignificante quantità di corrente con l'alimentazione POWER o STANDBY/ON non in posizione ON.
- Questo apparecchio deve essere collocato sufficientemente vicino alla presa di corrente affinché questa possa essere raggiunta con facilità in ogni momento.
- La spina è utilizzata come dispositivo di scollegamento e deve rimanere sempre operabile.
- I prodotti costruiti in Classe I sono dotati di un cavo di alimentazione con un polo di terra. Il cavo di un tale prodotto deve essere inserito in una presa AC con collegamento di protezione a terra.
- Se il prodotto utilizza batterie (incluso un pacco batterie o batterie installate), non dovrebbero essere esposte alla luce solare, fuoco o calore eccessivo.
- **ATTENZIONE** per i prodotti che utilizzano batterie al litio sostituibili: esiste il pericolo di esplosione se la batteria viene sostituita con una di tipo scorretto. Sostituire solo con lo stesso tipo o equivalente.
- Si deve usare cautela quando si usano auricolari o cuffie con il prodotto poiché una eccessiva pressione sonora (volume) negli auricolari o in cuffia può causare la perdita dell'udito.

### Per gli utenti europei

#### Smaltimento delle apparecchiature elettriche ed elettroniche

- Tutte le apparecchiature elettriche ed elettroniche devono essere smaltite separatamente dai rifiuti urbani mediante impianti di raccolta designati dal governo o dalle autorità locali.
- Con lo smaltimento corretto di apparecchiature elettriche ed elettroniche, si contribuisce a risparmiare preziose risorse ed evitare potenziali effetti negativi sulla salute umana e l'ambiente.
- Gli impianti di smaltimento improprio di rifiuti elettrici ed elettronici possono avere gravi conseguenze sull'ambiente e sulla salute umana a causa della presenza di sostanze pericolose nelle apparecchiature.
- Il simbolo RAEE (Rifiuti Apparecchiature Elettriche ed Elettroniche), che mostra un bidone con ruote barrato, indica che le apparecchiature elettriche ed elettroniche devono essere raccolte e smaltite separatamente dai rifiuti domestici. 
- I centri di raccolta sono disponibili per gli utenti finali. Per informazioni più dettagliate circa lo smaltimento delle vecchie apparecchiature elettriche ed elettroniche, contattare il negozio dove è stato acquistato l'apparecchio o l'autorità locale.

#### Smaltimento delle pile e/o accumulatori

- I rifiuti di pile e/o accumulatori devono essere smaltiti separatamente dai rifiuti urbani mediante impianti di raccolta designati dal governo o dalle autorità locali.
- Lo smaltimento corretto dei rifiuti di pile e/o accumulatori contribuisce a risparmiare preziose risorse ed evitare potenziali effetti negativi sulla salute umana e l'ambiente.
- Lo smaltimento non corretto dei rifiuti di pile e/o accumulatori possono avere gravi conseguenze sull'ambiente e sulla salute umana a causa della presenza di sostanze pericolose in essi.
- Il simbolo RAEE, che mostra un contenitore con ruote barrato, indica che le pile e/o accumulatori devono essere raccolti e smaltiti separatamente dai rifiuti domestici.   
Se una pila o accumulatore contiene più dei valori specificati **Pb, Hg, Cd** di piombo (Pb), mercurio (Hg) e/o di cadmio (Cd) come definito nella direttiva 2006/66/CE, i simboli chimici di questi elementi verranno indicati sotto il simbolo RAEE.
- I centri di raccolta sono disponibili per gli utenti finali. Per informazioni più dettagliate circa lo smaltimento dei rifiuti di pile e/o accumulatori, contattare il negozio dove è stato acquistato l'apparecchio o l'autorità locale.

**Grazie per aver scelto TEAC. Leggere attentamente questo manuale per ottenere le migliori prestazioni con questa unità.**

Prima dell'uso .....	37
Identificazione delle parti .....	38
Operazioni di base .....	42
Risoluzione dei problemi .....	43
Specifiche .....	43

---

**Leggere qui prima di effettuare operazioni**

- Fare attenzione a evitare lesioni quando si sposta l'unità, a causa del suo peso. Farsi aiutare da qualcuno se necessario.
- Per proteggere i mobili da graffi, applicare i piedini in feltro forniti con l'unità.
- Poiché l'unità si riscalda durante il funzionamento, lasciare sempre spazio sufficiente intorno all'unità per la ventilazione. I fori per la ventilazione non dovrebbero essere coperti. Assicurarsi che ci siano almeno 20 cm di spazio al di sopra e almeno 5 cm su ogni lato dell'unità. NON collocare nulla sopra l'unità.
- La tensione di alimentazione dell'unità deve corrispondere alla tensione stampata sul pannello posteriore. Se si è in dubbio, consultare un elettricista.
- Scegliere il luogo per l'installazione dell'unità con attenzione. Evitare di esporla alla luce diretta del sole o vicino a una fonte di calore. Evitare anche luoghi soggetti a vibrazioni eccessive e polvere, calore, freddo o umidità.
- Non collocare l'apparecchio su un amplificatore o qualsiasi altro dispositivo che genera calore.
- Non aprire lo chassis in quanto ciò potrebbe causare scosse o corto circuiti elettrici. Se un oggetto estraneo dovesse entrare nell'unità, contattare il rivenditore o l'assistenza tecnica.
- Quando si rimuove il cavo di alimentazione dalla presa a muro, afferrare sempre la spina e non tirare il cavo.
- Non tentare di pulire l'unità con solventi chimici perché potrebbero danneggiare la finitura. Usare un panno asciutto e pulito.
- Conservare questo manuale in un luogo sicuro per future consultazioni.

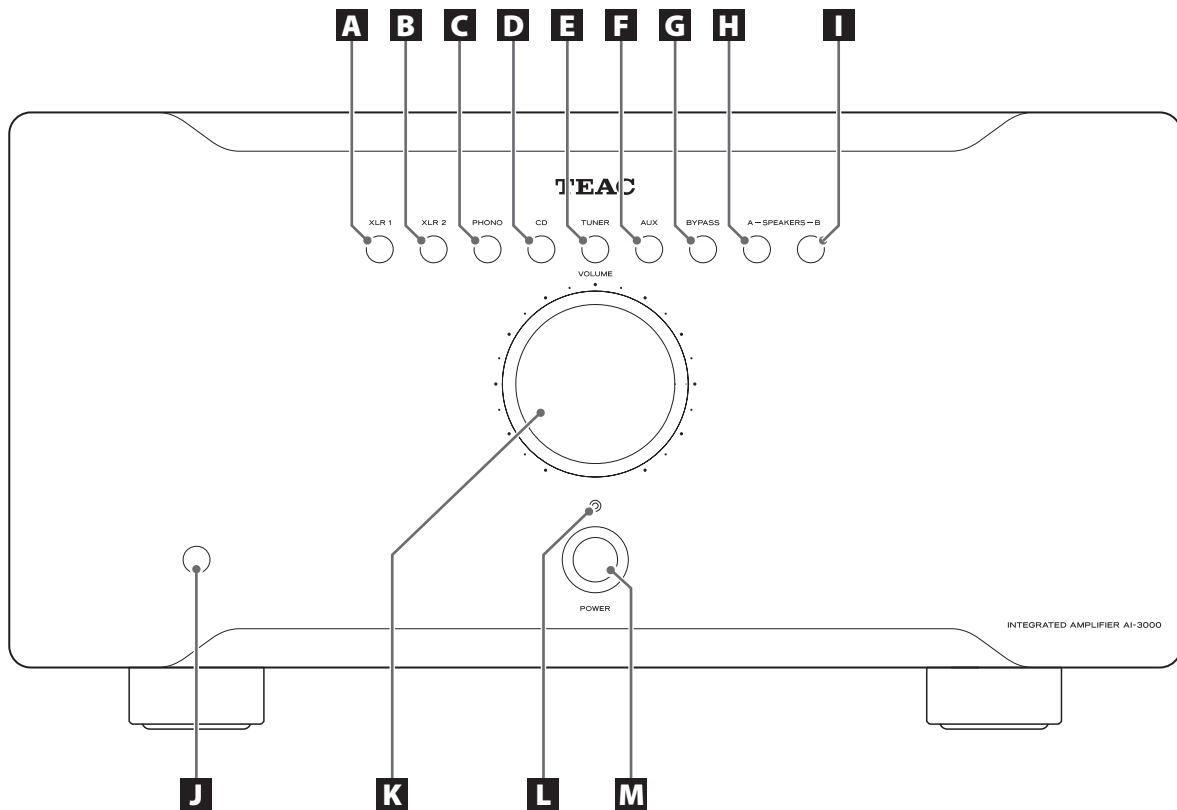
---

**Manutenzione**

Se la superficie dell'unità si sporca, strofinare con un panno morbido o utilizzare un liquido neutro diluito per la pulizia. Assicurarsi di rimuovere completamente qualsiasi traccia di liquido. Non usare diluenti, benzina o alcool in quanto potrebbero danneggiare la superficie dell'unità.

# Identificazione delle parti (1)

## Pannello frontale



**A** Selettore del segnale XLR1

**B** Selettore del segnale XLR2

**C** Selettore del segnale PHONO

**D** Selezione del segnale CD

**E** Selezione del segnale TUNER

**F** Selezione del segnale AUX

**G** Selezione del segnale BYPASS

**H** Selettore A/B SPEAKER (gruppo A)

**I** Selettore A/B SPEAKER (gruppo B)

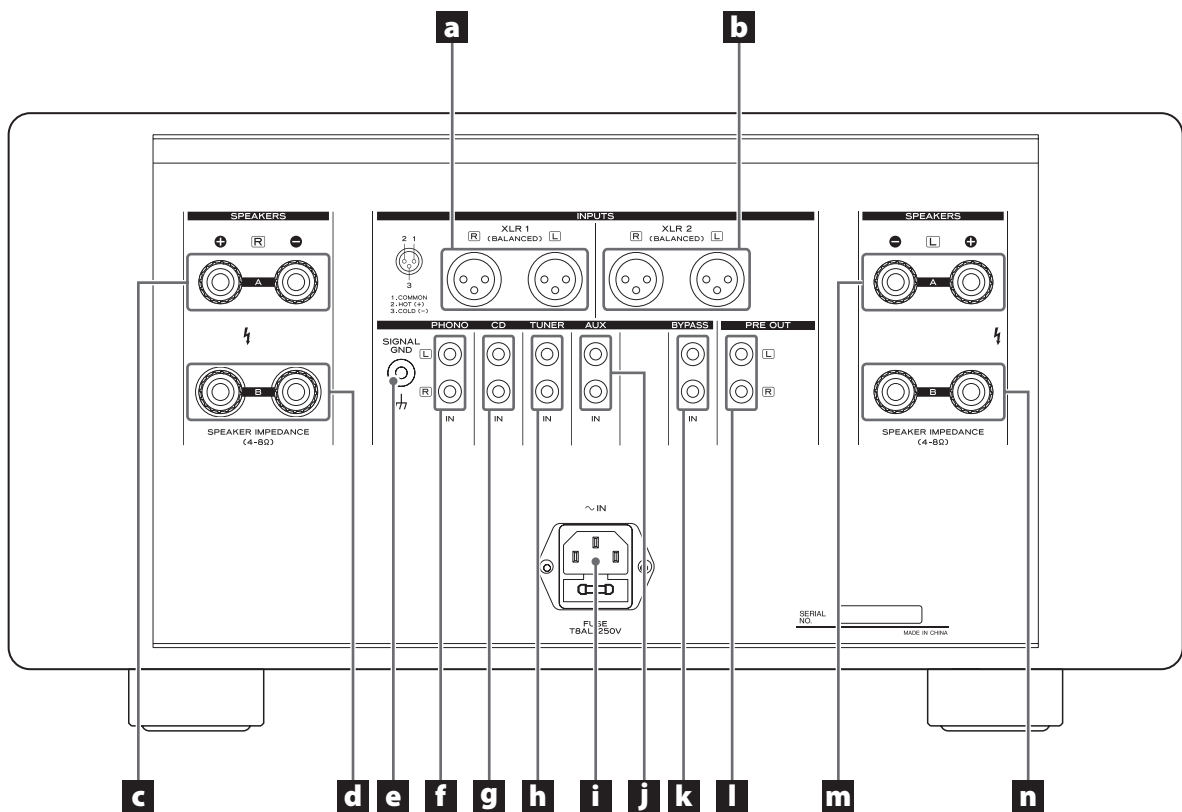
**J** Sensore del telecomando

**K** Manopola VOLUME

**L** Indicatore POWER

**M** Pulsante POWER

## Pannello posteriore



**a** Terminali di ingresso del segnale XLR1

**b** Terminali di ingresso del segnale XLR2

**c** Terminali di uscita altoparlanti canale destro (gruppo A)

**d** Terminali di uscita altoparlanti canale destro (gruppo B)

**e** Terminale di messa a terra

**f** Terminali di ingresso del segnale PHONO

**g** Terminali di ingresso del segnale CD

**h** Terminali di ingresso del segnale TUNER

**i** Presa di alimentazione AC (con fusibile)

**j** Terminali di ingresso del segnale AUX

**k** Terminali di ingresso BYPASS

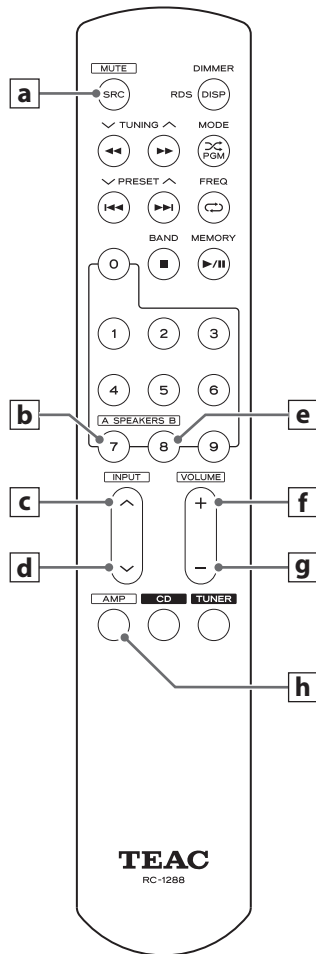
**l** Terminali di uscita PRE OUT

**m** Terminali di uscita altoparlanti canale sinistro (gruppo A)

**n** Terminali di uscita altoparlanti canale sinistro (gruppo B)

## Identificazione delle parti (2)

### Telecomando



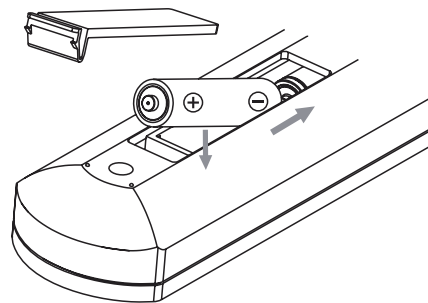
- a** MUTE
- b** Selettore SPEAKER (gruppo A)
- c** INPUT ^ (Selettore dell'ingresso precedente)
- d** INPUT v (Selettore dell'ingresso successivo)
- e** Selettore SPEAKER (gruppo B)
- f** VOLUME +
- g** VOLUME -
- h** AMP



### Nota prima di utilizzare il telecomando

- Premere il pulsante AMP per passare alla modalità AMP, prima di utilizzare il telecomando per operare sull'unità.
- La portata effettiva del telecomando è di 10 metri entro un angolo di 30 gradi.
- I pulsanti che non sono elencati o menzionati nel disegno del telecomando non vengono utilizzati per questa unità. È normale che non ci sia alcuna risposta se premuti.

### Installazione delle batterie



- 1** Aprire il coperchio del telecomando.
- 2** Inserire due batterie AAA. Assicurarsi che le batterie siano inserite correttamente con il loro polo positivo (+) e negativo (-).
- 3** Chiudere il coperchio.

## Accensione/spengimento

Collegare il cavo di alimentazione e il cavo del segnale dell'unità. Premere il pulsante di accensione del pannello frontale [⏻] per accendere l'unità. Ora l'indicatore di alimentazione sul display è acceso e l'unità è in modalità di funzionamento normale.

Per spegnere l'unità, premere l'interruttore di alimentazione del pannello frontale per portarlo in posizione OFF [⏻]. L'indicatore di alimentazione e l'apparecchio sono spenti. Staccare il cavo di alimentazione AC dalla presa di corrente principale quando l'apparecchio non viene usato per un lungo periodo di tempo.

## Selezione dell'ingresso

Per cambiare la sorgente di ingresso che si desidera utilizzare, premere il pulsante corrispondente del selettore di segnale del pannello frontale o il tasto INPUT  $\wedge$  o  $\vee$  del telecomando. Si accenderà il corrispondente indicatore di stato dell'ingresso selezionato.

## Regolazione del volume

La regolazione del volume può essere effettuata attraverso la manopola VOLUME del pannello frontale dell'unità.

Girare in senso orario per aumentare il volume. Girare in senso antiorario per diminuire il volume.

Si possono usare anche i pulsanti VOLUME + o - del telecomando per regolare il volume.

Utilizzare la manopola VOLUME o i pulsanti VOLUME + e - per impostare il volume al minimo prima ogni volta che si accende l'unità e aumentare gradualmente il livello del volume per evitare danni agli altoparlanti.

## Protezione dell'uscita

Quando l'uscita dell'amplificatore di potenza è sovraccarica, il relè del circuito di protezione dell'amplificatore di potenza verrà subito disconnesso. Tutti gli indicatori sul pannello saranno accesi contemporaneamente e il volume verrà abbassato automaticamente. A questo punto, spegnere l'alimentazione dell'unità ed eliminare le possibili cause del sovraccarico. Dopo circa 5 minuti, accendere di nuovo l'unità e verificare il suo corretto funzionamento.

## Selezione A/B SPEAKER

Premere il pulsante [A SPEAKERS B] del pannello frontale o del telecomando, poi scegliere il selettore di uscita A o B. Se gli indicatori A e B del pannello sono entrambi accesi significa che diffusori A e B sono entrambi collegati all'uscita. Se è acceso solo l'indicatore A o solo l'indicatore B, significa che è collegato solo il diffusore corrispondente.

## Mute

Premere il pulsante MUTE del telecomando per disattivare il suono in uscita dal sistema di altoparlanti collegati.

In modalità di silenziamento, premere di nuovo il pulsante MUTE del telecomando per tornare alla modalità di riproduzione normale.

## Risoluzione dei problemi

Se si verificano problemi con l'unità, si prega di leggere questa tabella prima di rivolgersi all'assistenza tecnica. Se il problema persiste, contattare il rivenditore o il servizio clienti/assistenza tecnica TEAC (indicato sul retro della copertina).

### Nessuna alimentazione

- ➔ Controllare la connessione alla rete di alimentazione AC. Controllare e assicurarsi che la sorgente AC non sia una presa commutata e che, in tal caso, l'interruttore sia acceso. Assicurarsi che ci sia alimentazione dalla presa di corrente alternata inserendo nella presa un altro apparecchio, per esempio una lampada o un ventilatore.

### Il telecomando non funziona

- ➔ Premere l'interruttore POWER dell'unità principale per accenderla.
- ➔ Se le batterie sono scariche, cambiare le batterie.
- ➔ Puntare il telecomando al pannello frontale dell'unità entro il raggio specificato di 10 m.
- ➔ Togliere eventuali ostacoli tra il telecomando e l'unità principale.

### Nessun suono

- ➔ Controllare i collegamenti all'amplificatore.
- ➔ Controllare il funzionamento dell'amplificatore.
- ➔ Il silenziamento è attivato. Premere il pulsante MUTE. Selezionare la sorgente corretta.
- ➔ È intervenuta la protezione dell'uscita. Spegnerne l'unità, verificare la presenza di possibili cause per risolvere il problema. Attendere 5 minuti prima di accendere di nuovo.

## Specifiche

### Sezione amplificatore

Potenza di uscita.....	200 W + 200 W (8 Ω)
	300 W + 300 W (4 Ω)
Risposta in frequenza .....	10 Hz - 30 KHz (-0,5 dB)
Rapporto segnale/rumore .....	102 dB (pesato A)
Distorsione armonica totale.....	0,01 % o meno
Sensibilità di ingresso .....	280 mV/47 KΩ

### Generali

Requisiti di alimentazione.....	AC 230 V 50 Hz
Consumo (nominale).....	570 W
Dimensioni (L x A x P) .....	435 x 230 x 520 mm
Peso .....	31,3 kg
Temperatura di esercizio .....	+5°C - +35°C
Umidità in funzionamento .....	5 % - 85 % (senza condensa)
Temperatura di stoccaggio.....	-10°C - +55°C

### Accessori

Cavo di alimentazione x1
Telecomando x1
Batterie AAA x 2
Cartolina di garanzia x1
Manuale di istruzioni x 1

- Design e specifiche sono soggetti a modifiche senza preavviso.
- Peso e dimensioni sono approssimativi.
- Le illustrazioni possono differire leggermente da modelli in produzione.

# TEAC

---

TEAC CORPORATION	1-47 Ochiai, Tama-shi, Tokyo 206-8530 Japan	Phone: (042) 356-9156
TEAC AMERICA, INC.	7733 Telegraph Road, Montebello, California 90640 U.S.A.	Phone: (323) 726-0303
TEAC CANADA LTD.	5939 Wallace Street, Mississauga, Ontario L4Z 1Z8, Canada	Phone: (905) 890-8008
TEAC MEXICO, S.A. DE C.V.	Río Churubusco 364, Colonia Del Carmen, Delegación Coyoacán, CP 04100, México DF, México	Phone: (5255) 5010-6000
TEAC UK Ltd.	Suites 19 & 20, Building 6, Croxley Green Business Park, Hatters Lane, Watford, Hertfordshire, WD18 8TE, U.K.	Phone: (0845) 130-2511
TEAC EUROPE GmbH	Bahnstraße 12, D-65205 Wiesbaden-Erbenheim, Deutschland	Phone: 0611-71580

---

This device has a serial number located on its rear panel. Please record the serial number and retain it for your records.

Model name: AI-3000      Serial number: \_\_\_\_\_

1011·MA-1764A